

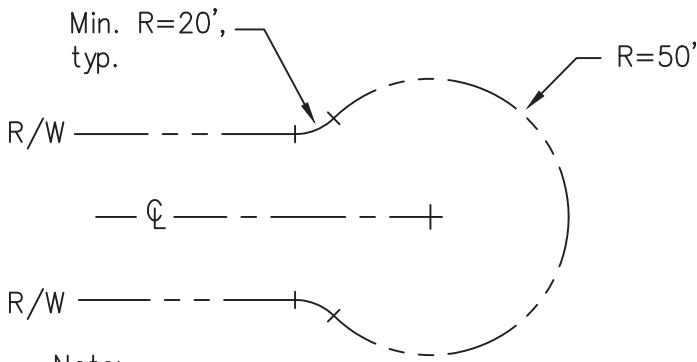
CITY OF LIVERMORE

STANDARD DETAILS

TABLE OF CONTENTS

STREETS - ST

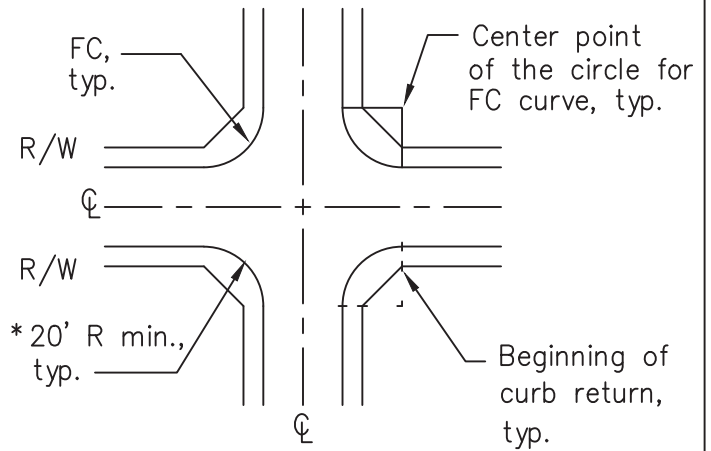
DETAIL NO.	TITLE
ST-1	CUL-DE-SAC, CURB RETURNS, AND ELBOWS; HAMMERHEADS AND TEMPORARY TURNAROUND
ST-2	STREET WIDTHS; PARTIAL STREET SECTION
ST-3	MONOLITHIC SIDEWALK (RESIDENTIAL/INDUSTRIAL)
ST-4	SEPARATED SIDEWALK AND DRIVEWAY (RESIDENTIAL)
ST-5	SIDEWALK (COMMERCIAL/INDUSTRIAL)
ST-6	DRIVEWAY (STREET-LEVEL)
ST-7	DRIVEWAY (RESIDENTIAL)
ST-8	DRIVEWAY (COMMERCIAL/INDUSTRIAL)
ST-9	CURB & GUTTER, MEDIAN CURB
ST-10	TEXTURED CONCRETE PAVING
ST-11	STREET SECTION
ST-12	UTILITY LOCATIONS
ST-13	MONUMENT
ST-14	STANDARD STREET LIGHT; DECORATIVE STREET LIGHT
ST-15	BUS TURNOUT
ST-16	VALLEY GUTTER
ST-17	ROADSIDE SIGN/POST INSTALLATION
ST-18	STREET NAME SIGN AND W14-2a SPECIAL SIGN
ST-19	NUMBER NOT USED
ST-20	PRIVATE PROPERTY/CITY OFF-STREET SIGNS
ST-21	BARRICADES
ST-22	MEDIAN CONSTRUCTION
ST-23	REMOVABLE BOLLARD
ST-24	MAIL BOX INSTALLATION
ST-25	PAVEMENT WIDENING, CONNECTIONS; OVERLAY
ST-26	CROSSWALK/STOP BAR INSTALLATION
ST-27	BIKE LANES
ST-28	SIDEWALK DRAIN (RESTORATION OF EXISTING FACILITIES)
ST-29	CHAIN LINK FENCE
ST-30	PEDESTRIAN WALKWAY
ST-31	SIDEWALK REPAIR
ST-32	SIDEWALK GRINDING REPAIR
ST-33	SIDEWALK REPAIR CRITERION
ST-34	SPEED LUMPS
ST-35	SPEED TABLE CROSSWALK



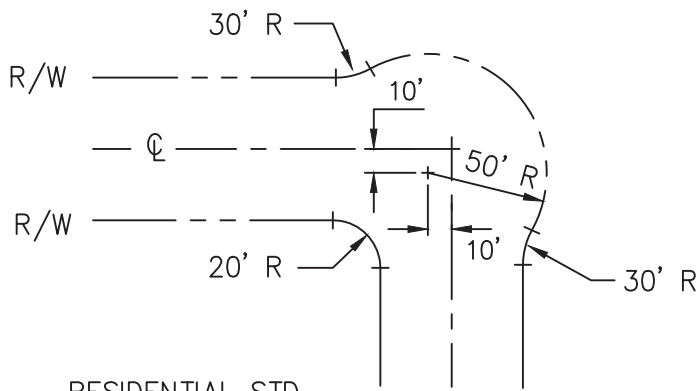
Note:

Cul-de-sac radius point may be offset from centerline.

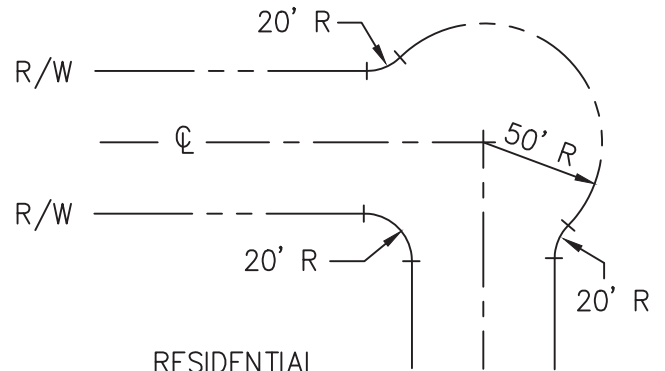
CUL-DE-SAC



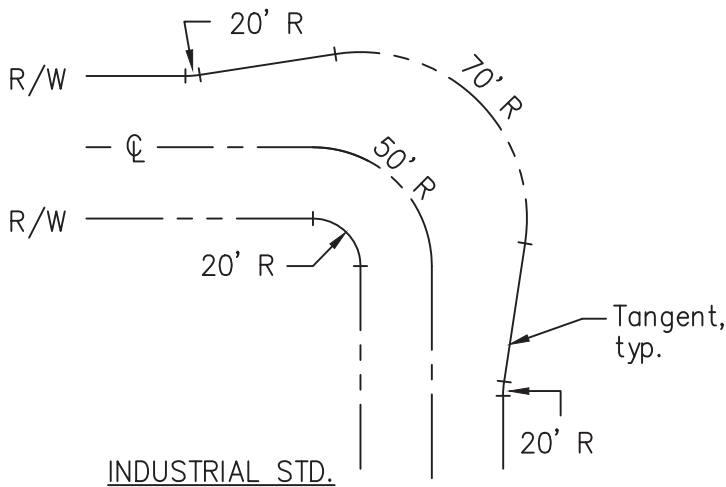
CURB RETURN



RESIDENTIAL STD.



RESIDENTIAL
Alternate



INDUSTRIAL STD.

ELBOWS

Notes:

1. Radii shown are minimums.
2. See ST-2A thru ST-2D for standard street widths.
- * Min. radii going into developments and interior Livermore-Pleasanton Fire Department truck circulation route shall be 28'. Min. radii for off-site major roadway intersections shall be 31'.

User note:

These details shall be used in conjunction with all the City standard details and specifications. Refer to the City standard specifications for the materials, installation, testing, protective coatings, and other requirements.

CUL-DE-SAC,
CURB RETURN,
AND ELBOWS

CITY OF LIVERMORE
STANDARD DETAIL

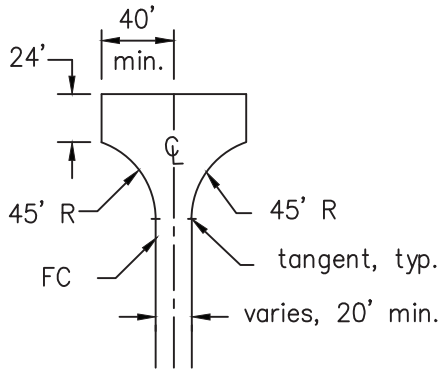
Dwn: KY/KR/GS	Date: Oct-25	NO.
Ckd: Spec. Committee	Scale: NONE	

Jose L. Wards
City Engineer

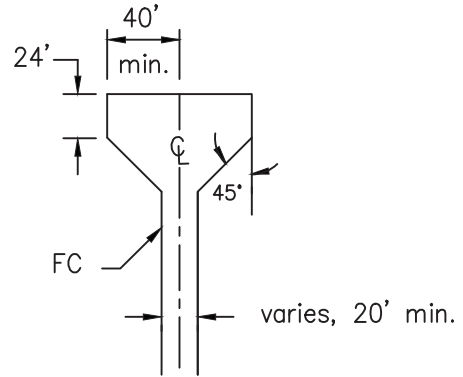
ST-1A

ST01A.DWG

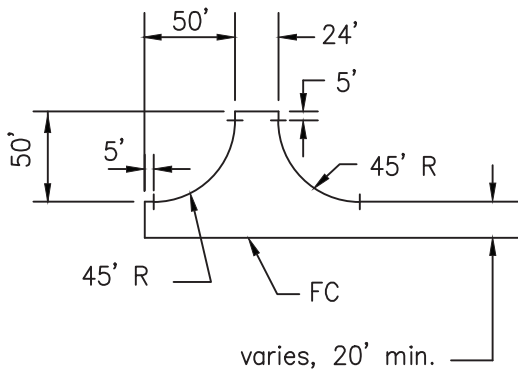
Date	By	Rev.



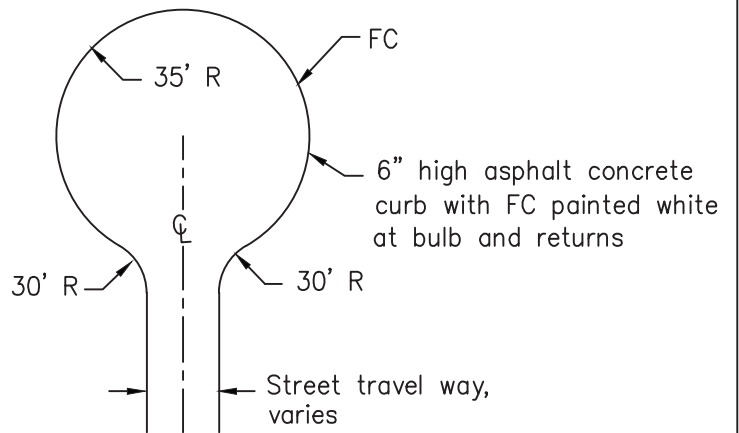
"T" HAMMERHEAD



"T" HAMMERHEAD
(CHAMFER ALTERNATIVE)



DOG LEG HAMMERHEAD



Cul-de-sac radius point may be offset from center

TEMPORARY TURNAROUND

Notes:

1. Radii shown are minimums.
2. See ST-2A thru ST-2D for standard street widths.
3. These hammerheads are not standard design practice to be used in lieu of cul-de-sac. Hammerheads are only used on case by case basis as approved by the City.

User note:


These details shall be used in conjunction with all the City standard details and specifications. Refer to the City standard specifications for the materials, installation, testing, protective coatings, and other requirements.

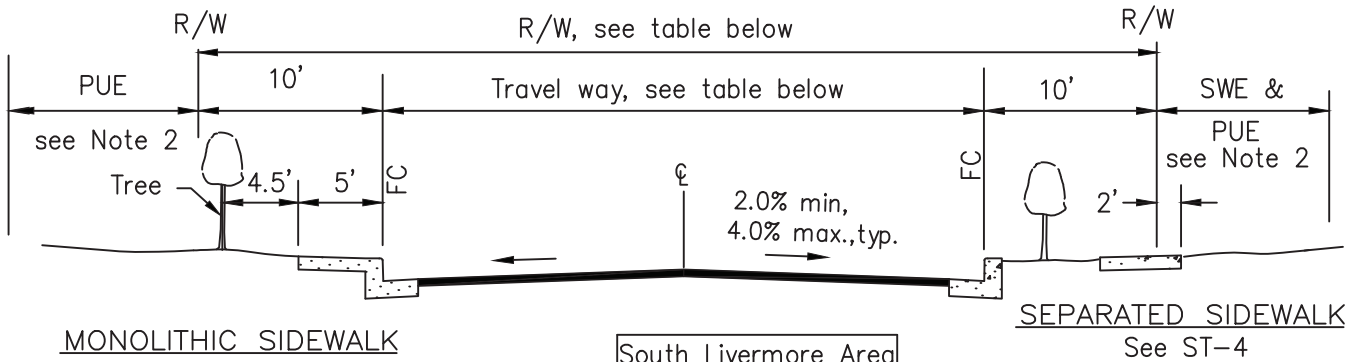
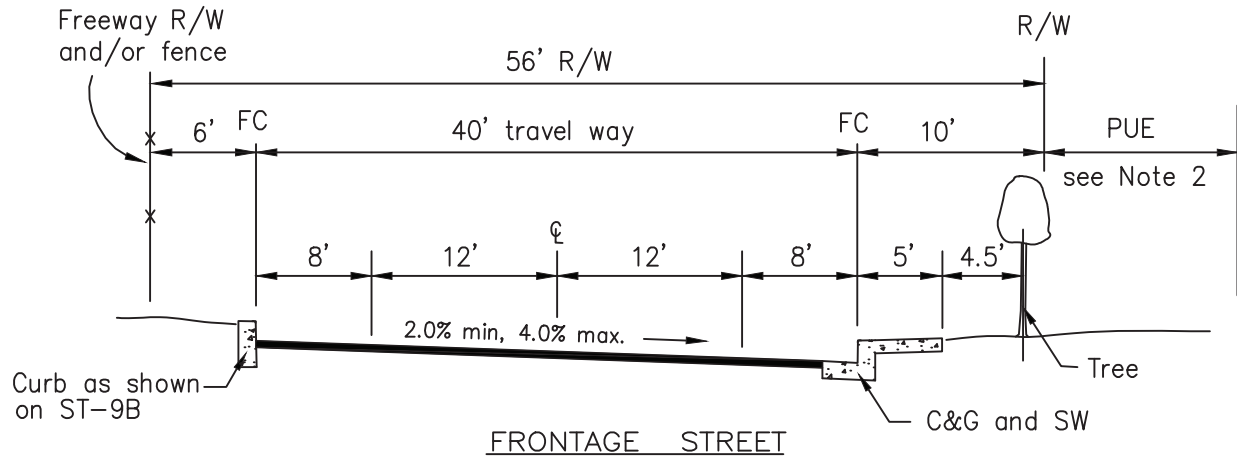
ST01B.DWG

Date	By	Rev.

HAMMERHEADS
AND
TEMPORARY TURNAROUND

CITY OF LIVERMORE
STANDARD DETAIL

Dwn: KY	Date: May-13	NO.
Ckd: Spec. Committee	Scale: NONE	
 City Engineer		ST-1B



MONOLITHIC SIDEWALK
See ST-3

South Livermore Area
Transition Area Only

SEPARATED SIDEWALK
See ST-4

Street type	*Travel way	* R/W	**Travel way	** R/W	Guideline Criteria
Local street	40'	60'	32'	52'	Planned to serve more than 50 units, each direction
Local street, with parking on one side	32'	52'	25'	45'	No homes fronting on one side of the street
Local street, with no parking	26'	27'	-	-	Planned to serve less than 20 units ***
Minor Local street, Cul-De-Sac, and Loops	36'	56'	32'	52'	Planned to serve 20 to 50 units, each direction
Short Cul-De-Sac	32'	52'	32'	52'	Planned to serve less than 20 units

* The approved tentative map will determine actual street widths.
This table is intended to be a guideline only.

** R/W and Travel way dimensions is reduced for developments in the specific plan area.

*** Street to have monolithic sidewalk on both sides of street within 6' wide sidewalk/public utility easements adjacent to right-of-way

LOCAL STREET AND CUL-DE-SAC

See ST-2E for notes

User note:

These details shall be used in conjunction with all the City standard details and specifications. Refer to the City standard specifications for the materials, installation, testing, protective coatings, and other requirements.

CITY OF LIVERMORE
STANDARD DETAIL

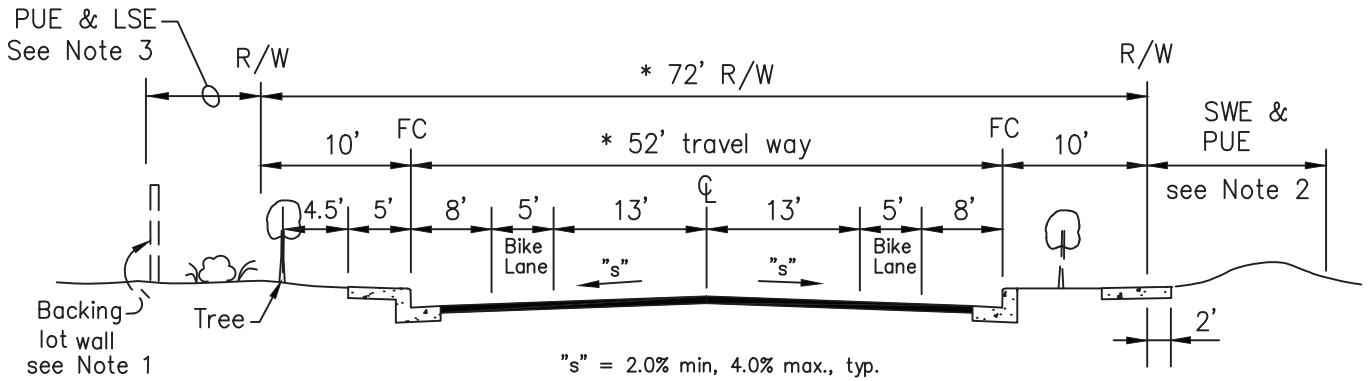
Dwn: FY Date: May-13 NO.
Ckd: Spec. Committee Scale: NONE
[Signature]
City Engineer

ST-2A

STREET WIDTHS
(FRONTAGE, LOCAL & CUL-DE-SAC)

ST02A.DWG

Date	By	Rev.



"s" = 2.0% min, 4.0% max., typ.

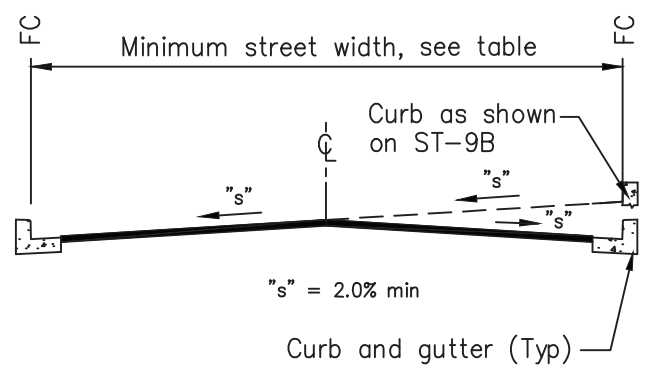
MONOLITHIC SIDEWALK
See ST-3

COLLECTOR STREET
(RESIDENTIAL)

SEPARATED SIDEWALK
See ST-4

* For collector streets with parking on one side of the street, street width may be reduce to 66' R/W and 46' travel way.

Minimum street width	
Private street with parallel parking on both sides	36'
Private street with parallel parking on one side	33'
Private street (No parking on either side)	24'
Private alley (No parking on either side)	20'



PRIVATE RESIDENTIAL STREET AND
PRIVATE RESIDENTIAL TOWNHOUSE/CONDOMINIUM STREET

See ST-2E for notes


User note:
These details shall be used in conjunction with all the City standard details and specifications. Refer to the City standard specifications for the materials, installation, testing, protective coatings, and other requirements.

ST02B.DWG

Date	By	Rev.

STREET WIDTHS
(COLLECTOR AND PRIVATE STREETS)

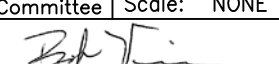
CITY OF LIVERMORE
STANDARD DETAIL

Dwn: FY	Date: May-13	NO.
Ckd: Spec. Committee	Scale: NONE	
 City Engineer		ST-2B

Date	By	Rev.

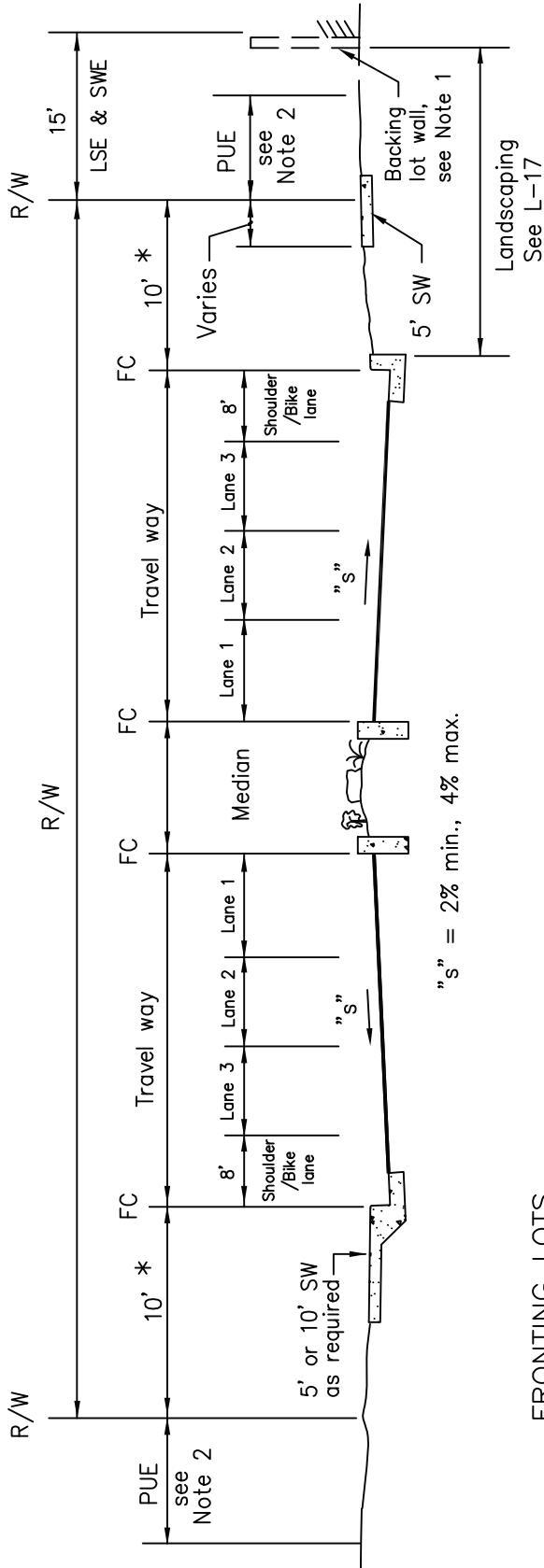
STREET WIDTHS (MAJOR STREETS)

CITY OF LIVERMORE STANDARD DETAIL

Dwn: KY,HI	Date: Oct-22	NO.
Ckd: Spec. Committee	Scale: NONE	ST-2C
 City Engineer		

User note:
 These details shall be used in conjunction with all the City standard details and specifications. Refer to the City standard specifications for the materials, installation, testing, protective coatings, and other requirements.

- * Dimension is one (1) foot on Business and Commercial Park (BCP) frontages
 - ** Right of way (R/W) dimensions reduced in Business and Commercial Park (BCP) per Policy Proposal No. 160-98.
- See ST-2E for notes.

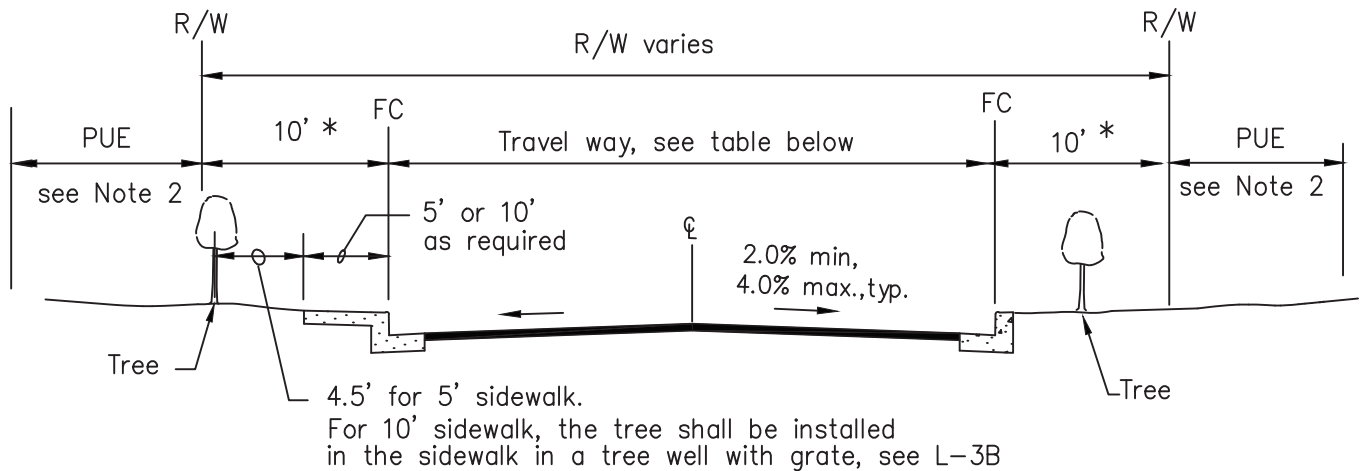


FRONTING LOTS
MONOLITHIC SIDEWALK
 (INDUSTRIAL OR COMMERCIAL ONLY)

BACKING LOTS
SEPARATED, MONOLITHIC OR
MEANDERING SIDEWALK AS REQUIRED

MAJOR STREET

Total Travel Lanes	** R/W	Travel way			Median			
		Shoulder/Bike Lane width	Lane 1 width	Lane 2 width	Lane 3 width	Total	Single Left Turn	Dual Left Turn
4	104'	8'-10'	12'-14'	12'	-	34'	16'	-
4	116'	8'-10'	12'-14'	12'	-	34'	-	28'
6	128'	8'-10'	12'-14'	12'	12'	46'	16'	-
6	140'	8'-10'	12'-14'	12'	12'	46'	-	28'



MONOLITHIC SIDEWALK

(ONE SIDE ONLY)

See ST-3

Street type	Travel way	R/W	Remarks
Industrial/ Commercial	40' min.	60' min.	1. Two lane street, with no left turn lane.
	52' min.	72' min.	1. Two lane street. with left turn lane.

INDUSTRIAL/COMMERCIAL STREET

* Dimension is one (1) foot in Business and Commercial Park (BCP) per Policy Proposal No. 160-98.

User note:

These details shall be used in conjunction with all the City standard details and specifications. Refer to the City standard specifications for the materials, installation, testing, protective coatings, and other requirements.

See ST-2E for notes

STREET WIDTHS
(INDUSTRIAL/COMMERCIAL)

CITY OF LIVERMORE
STANDARD DETAIL

Dwn: KY Date: May-13 NO.
Ckd: Spec. Committee Scale: NONE

[Signature]
City Engineer

ST-2D


ST02D-R1.DWG

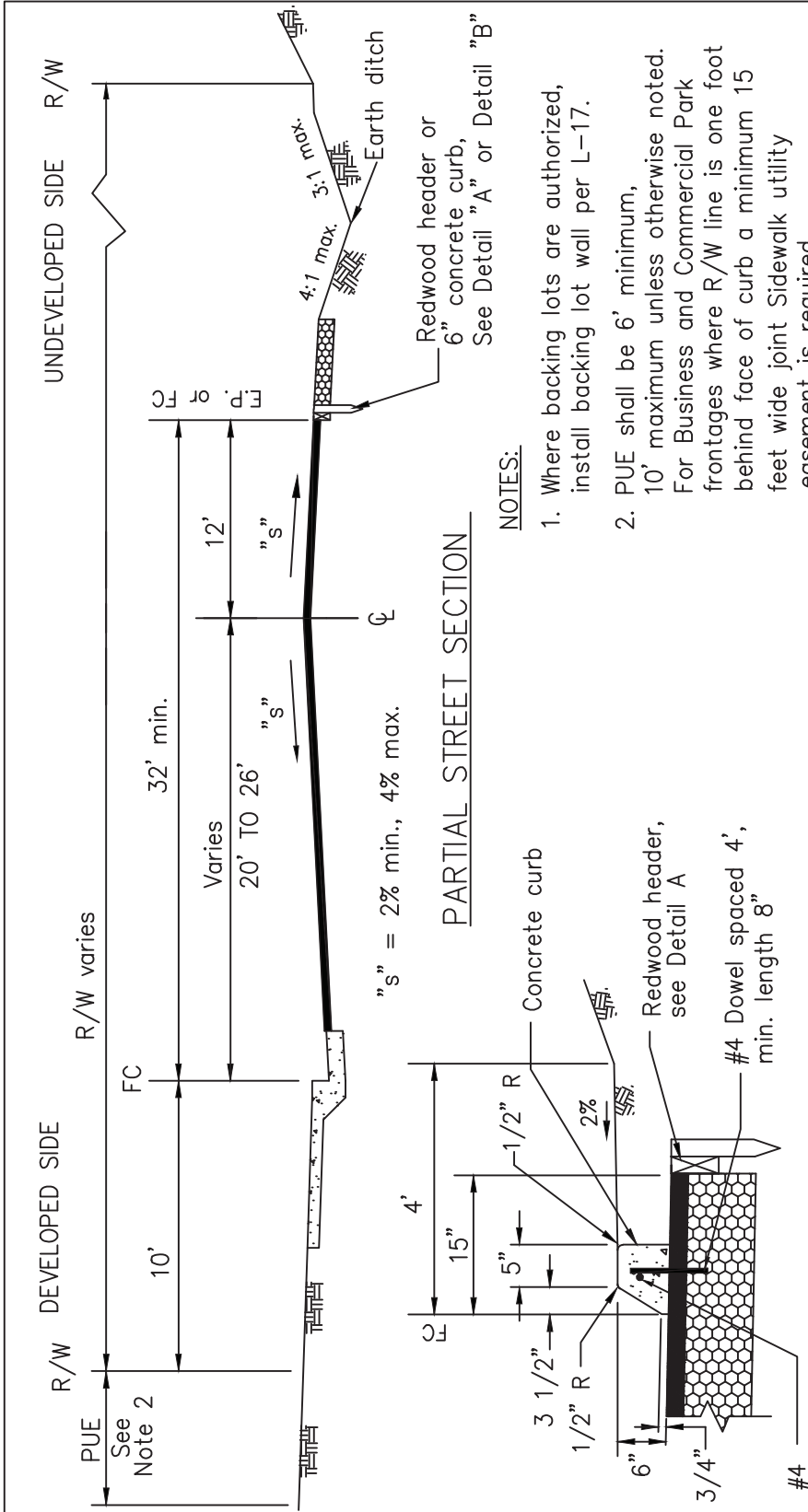
Date	By	Rev.

Date	By	Rev.

STREET WIDTH
(PARTIAL STREET SECTION FOR TEMP
40' TO 52' TRAVEL WAY STREETS)

CITY OF LIVERMORE
STANDARD DETAIL

Dwn: FY	Date: May-13	NO.
Ckd: Spec. Committee	Scale: NONE	
 City Engineer		ST-2E

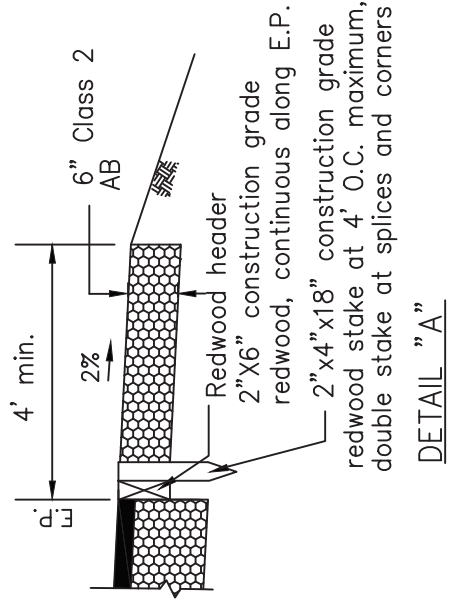
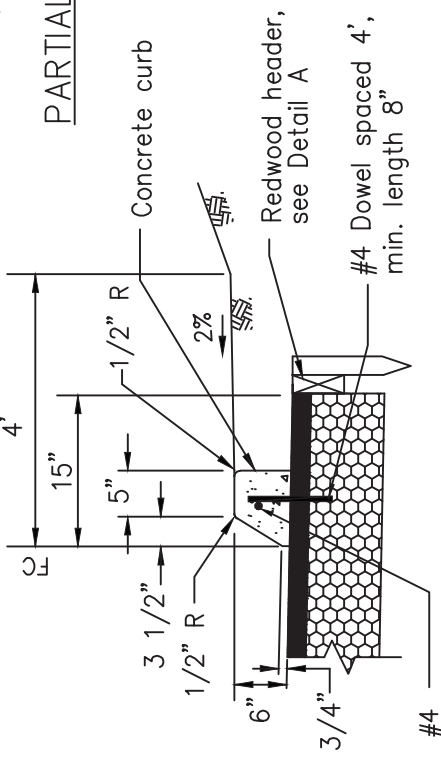


PARTIAL STREET SECTION

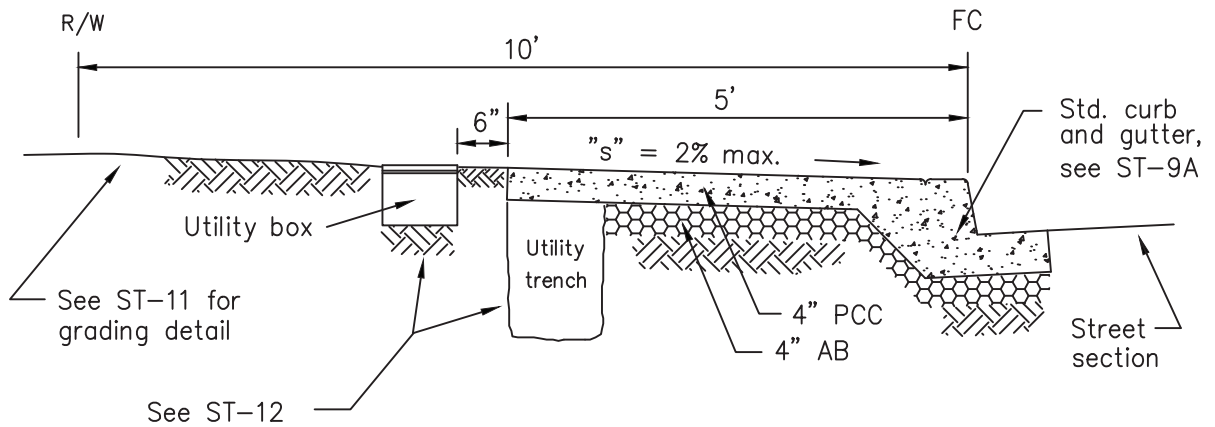
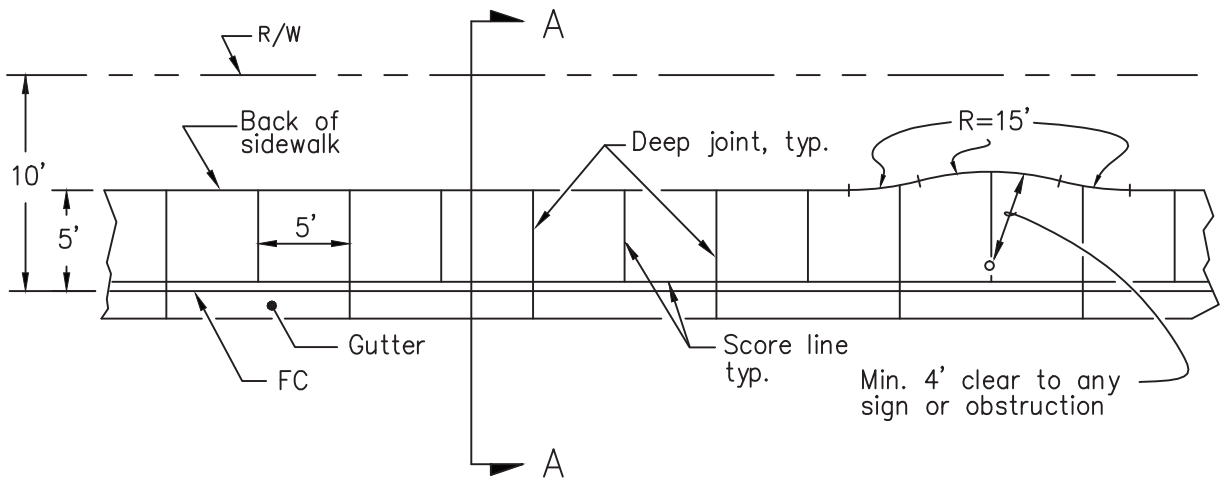
"s" = 2% min., 4% max.

NOTES:

1. Where backing lots are authorized, install backing lot wall per L-17.
2. PUE shall be 6' minimum, 10' maximum unless otherwise noted. For Business and Commercial Park frontages where R/W line is one foot behind face of curb a minimum 15 feet wide joint Sidewalk utility easement is required.
3. For backing lot treatment, landscape easement and PUE shall be 3'. For no backing lot treatment, PUE shall be 6'.
4. See ST-3, 4 & 5 for sidewalks.
5. See ST-9A for curb and gutter.
6. See ST-4, 6, 7, & 8 for driveways.
7. See ST-12 for utility locations.
8. See ST-11 for traffic index, and street section requirements.
9. Redwood Header for temporary application, concrete flush curb required for permanent application.



User note:
These details shall be used in conjunction with all the City standard details and specifications. Refer to the City standard specifications for the materials, installation, testing, protective coatings, and other requirements.



SECTION A-A


User note:
 These details shall be used in conjunction with all the City standard details and specifications. Refer to the City standard specifications for the materials, installation, testing, protective coatings, and other requirements.

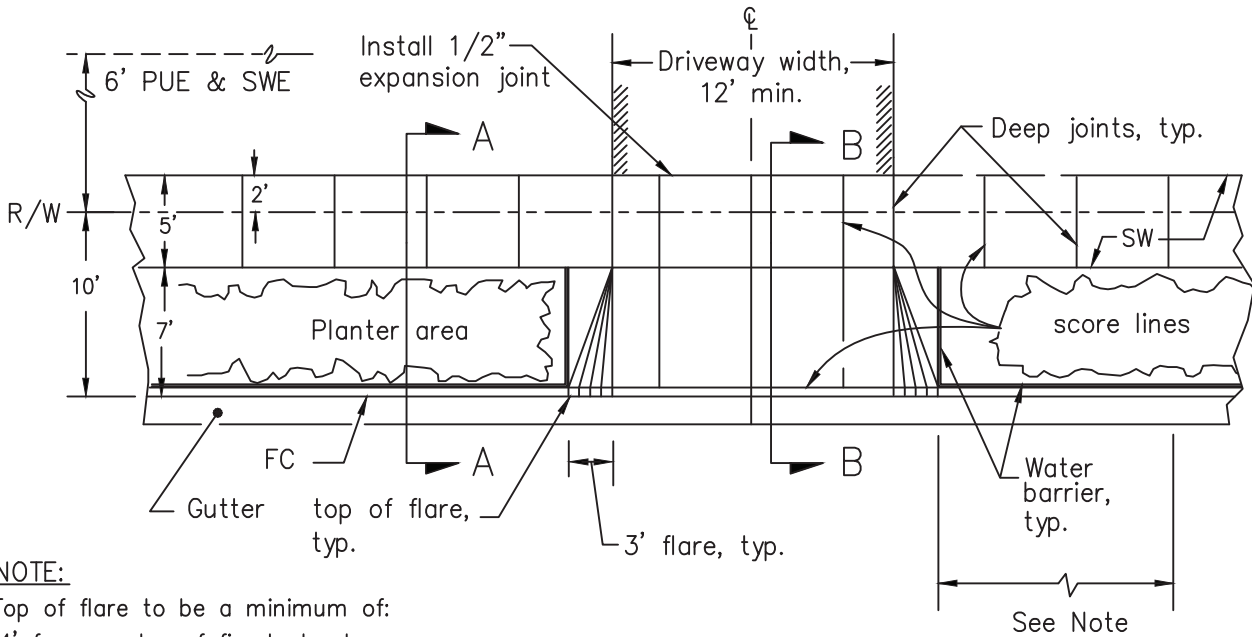
ST03.DWG

Date	By	Rev.

MONOLITHIC SIDEWALK
 (RESIDENTIAL/INDUSTRIAL)

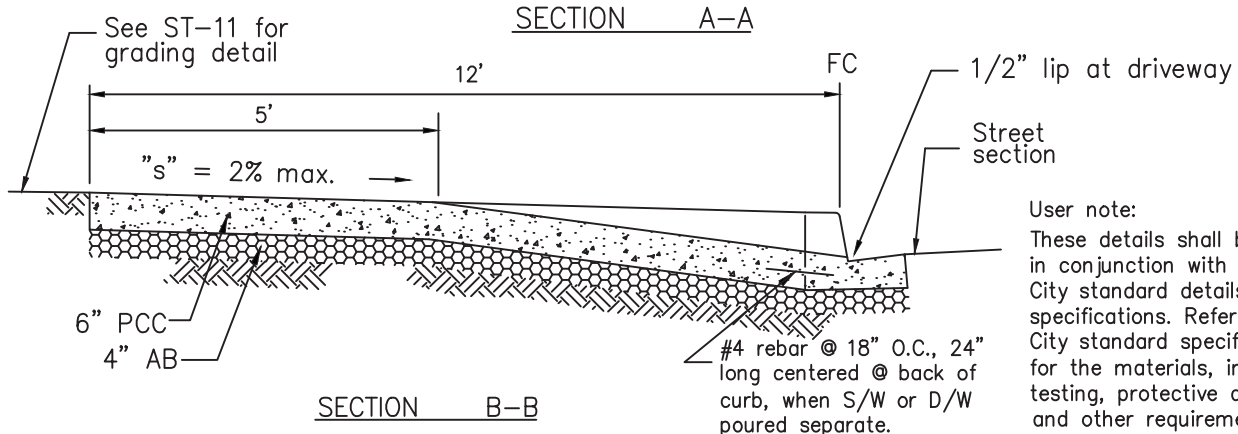
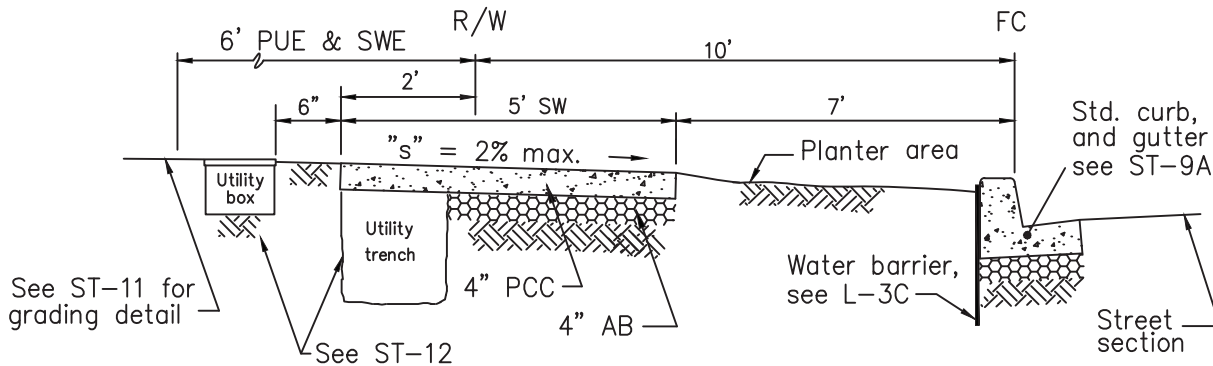
CITY OF LIVERMORE
 STANDARD DETAIL

Dwn: KY/KR	Date: May-13	NO. ST-3
Ckd: Spec. Committee	Scale: NONE	
 City Engineer		



NOTE:

- Top of flare to be a minimum of:
- 4' from center of fire hydrant
- 4' from center of street light
- 4' from property line
- 10' from beginning of curb return
- 8' from center of street tree
- 4' from top of flare of other driveway



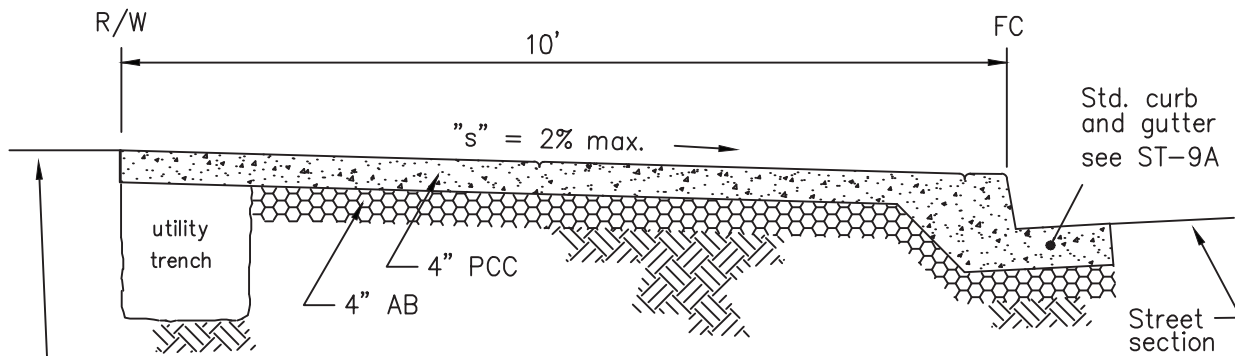
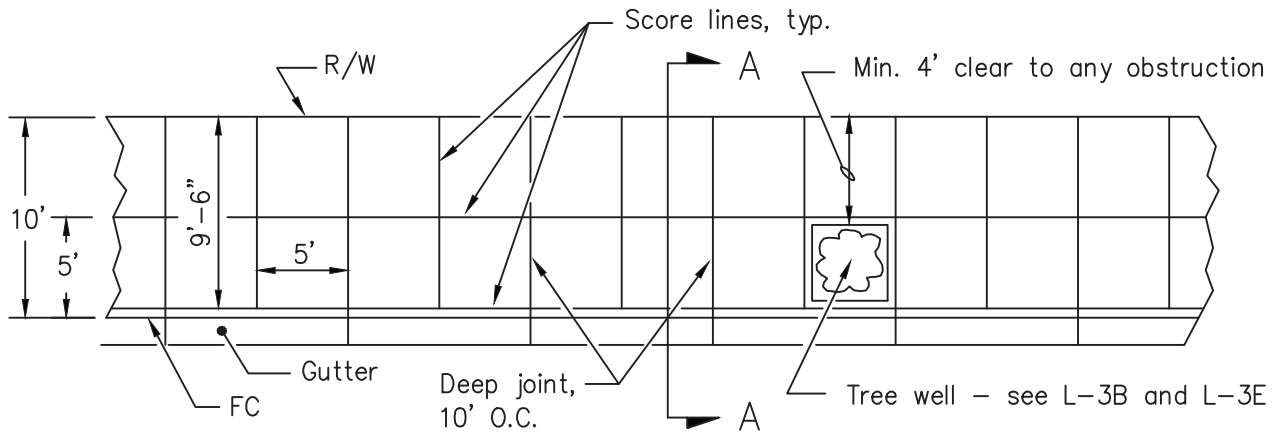
User note:
 These details shall be used in conjunction with all the City standard details and specifications. Refer to the City standard specifications for the materials, installation, testing, protective coatings, and other requirements.

ST04.DWG			
Date	By	Rev.	

SEPARATED SIDEWALK AND DRIVEWAY (RESIDENTIAL)

CITY OF LIVERMORE STANDARD DETAIL

Dwn: FY	Date: May-13	NO.
Ckd: Spec. Committee	Scale: NONE	
City Engineer		ST-4



Utility boxes to be placed in PUE behind sidewalk where applicable, see ST-12 for placement of utility trench and boxes.

SECTION A-A


User note:
 These details shall be used in conjunction with all the City standard details and specifications. Refer to the City standard specifications for the materials, installation, testing, protective coatings, and other requirements.

ST05.DWG

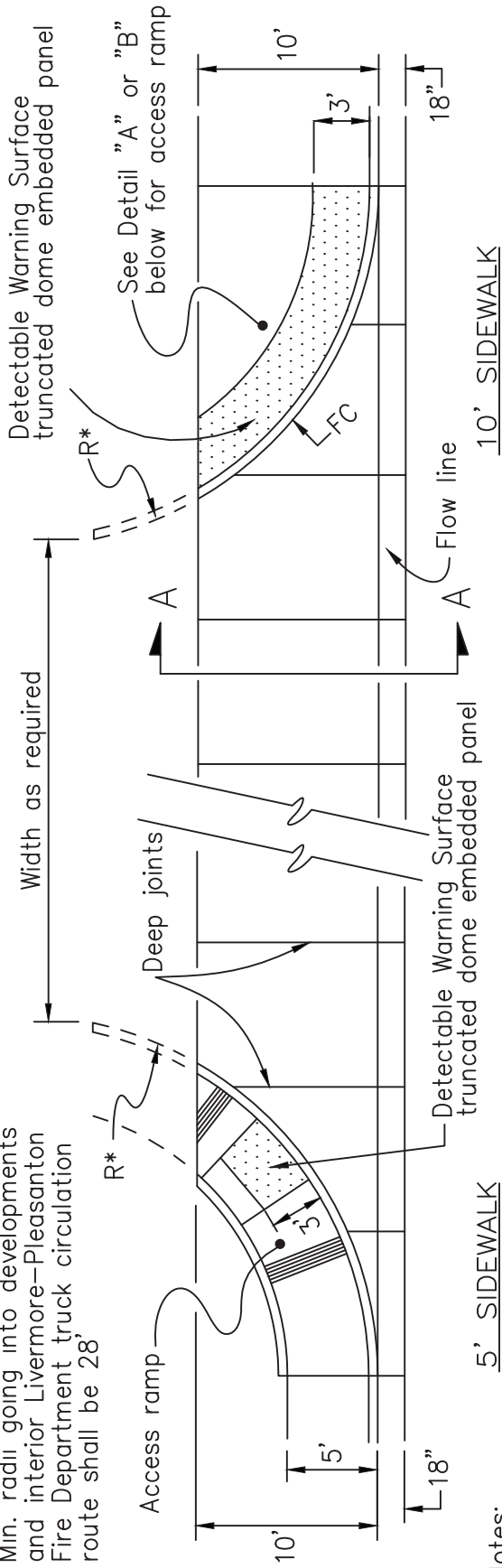
Date	By	Rev.

SIDEWALK
 (COMMERCIAL/INDUSTRIAL)

CITY OF LIVERMORE
 STANDARD DETAIL

Dwn: KR/KY	Date: May-13	NO.
Ckd: Spec. Committee	Scale: NONE	ST-5
 City Engineer		

* Min. radii going into developments and interior Livermore-Pleasanton Fire Department truck circulation route shall be 28'

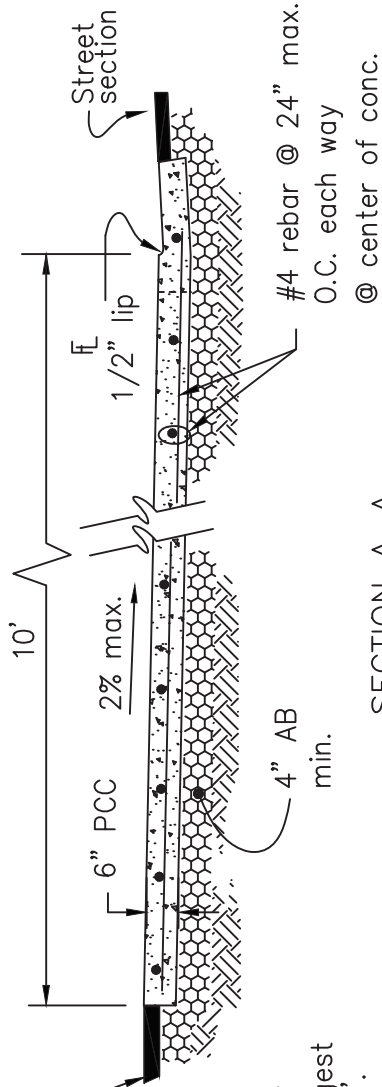


Notes:

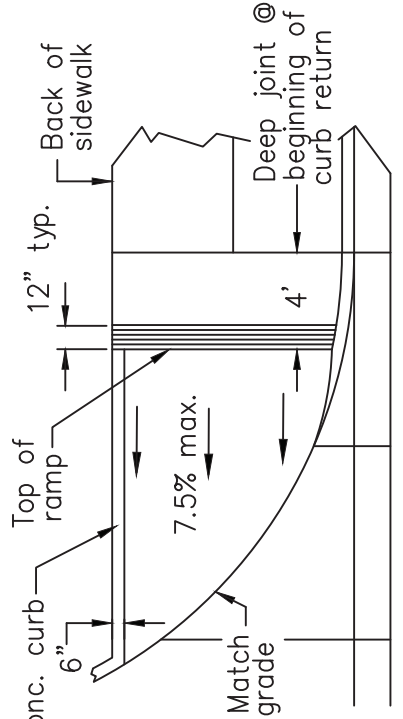
1. See ST-3, ST-5 for sidewalk details
2. See Caltrans Curb Ramp Detail A88A for additional details and requirements.
3. Driveway width shall be wide enough to allow the largest truck turning into the driveway from the outer lane without blocking any lanes
4. For driveways with gates, the minimum distance between the gate and the back of the sidewalk shall be the length of the largest truck entering and exiting the gate plus 10'.

* R=20' min.

Curb, paving by others



SECTION A-A



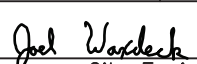
DETAIL "B" - ACCESS RAMP

DETAIL "A" - ACCESS RAMP

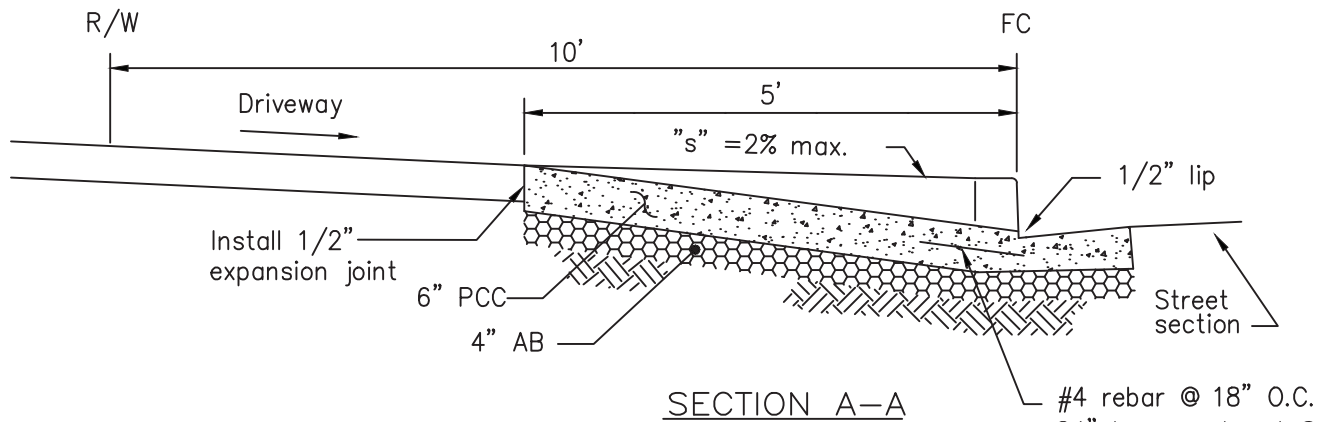
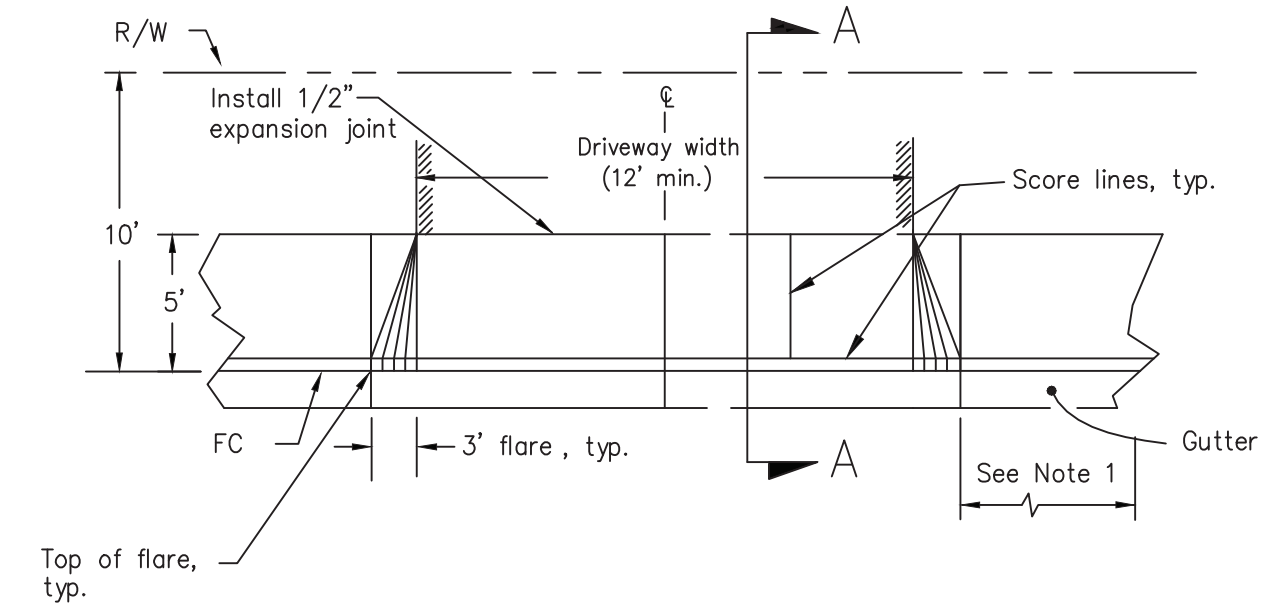
User note:
These details shall be used in conjunction with all the City standard details and specifications. Refer to the City standard specifications for the materials, installation, testing, protective coatings, and other requirements.

DRIVEWAY
(STREET-LEVEL)
(INDUSTRIAL/COMMERCIAL)

CITY OF LIVERMORE
STANDARD DETAIL

Dwn: FY/GS	Date: Mar-26	NO.
Spec. Committee	Scale: NONE	
 City Engineer		ST-6

Date	By	Rev.



NOTES:

1. Top of flare to be a minimum of:
 - 4' from center of fire hydrant
 - 4' from center of street light
 - 4' from property line
 - 10' from beginning of curb return
 - 8' from center of street tree
 - 4' from top of flare of other driveway
2. See ST-3 for sidewalk.
3. The driveway shall be symmetric about the centerline.

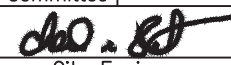
User note:
 These details shall be used in conjunction with all the City standard details and specifications. Refer to the City standard specifications for the materials, installation, testing, protective coatings, and other requirements.

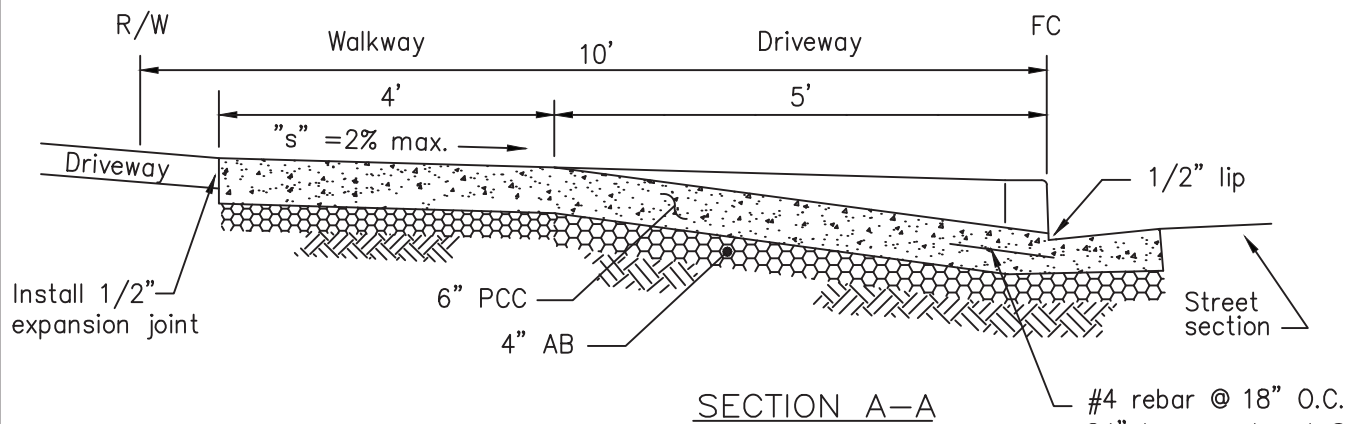
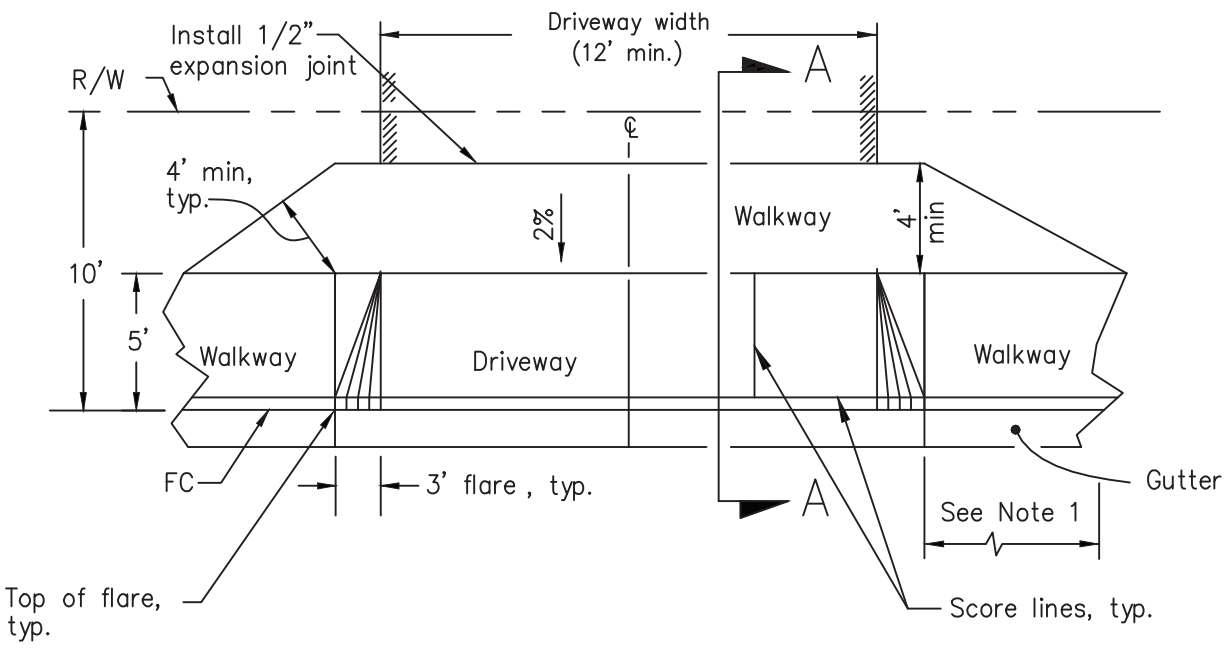
ST07A.DWG

Date	By	Rev.

DRIVEWAY
 EXISTING DEVELOPMENT
 (RESIDENTIAL)

CITY OF LIVERMORE
 STANDARD DETAIL

Dwn: FY	Date: May-13	NO.
Ckd: Spec. Committee	Scale: NONE	
 City Engineer		ST-7A



NOTES:

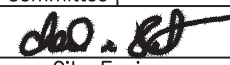
1. Top of flare to be a minimum of:
 - 4' from center of fire hydrant
 - 4' from center of street light
 - 4' from property line
 - 10' from beginning of curb return
 - 8' from center of street tree
 - 4' from top of flare of other driveway
2. See ST-3 for sidewalk.
3. The driveway shall be symmetric about the centerline.

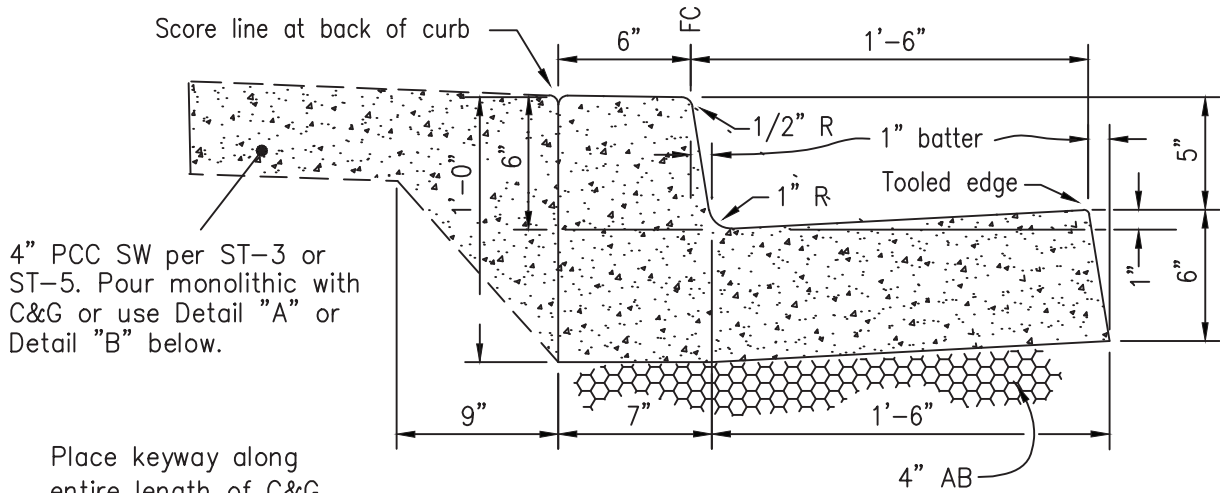
User note:
 These details shall be used in conjunction with all the City standard details and specifications. Refer to the City standard specifications for the materials, installation, testing, protective coatings, and other requirements.

ST07B.DWG

Date	By	Rev.

DRIVEWAY - NEW DEVELOPMENT
(RESIDENTIAL)

CITY OF LIVERMORE STANDARD DETAIL		
Dwn: FY	Date: May-13	NO.
Kcd: Spec. Committee	Scale: NONE	ST-7B
 City Engineer		

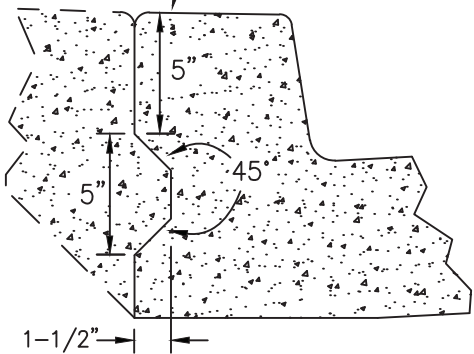


4" PCC SW per ST-3 or ST-5. Pour monolithic with C&G or use Detail "A" or Detail "B" below.

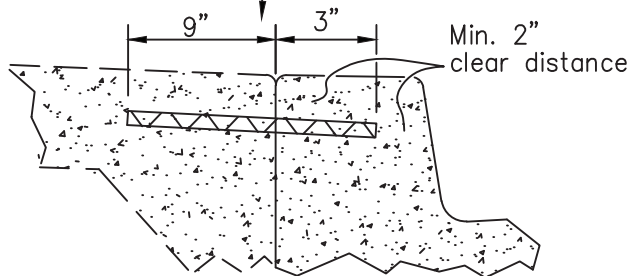
Place keyway along entire length of C&G as shown.

CURB & GUTTER

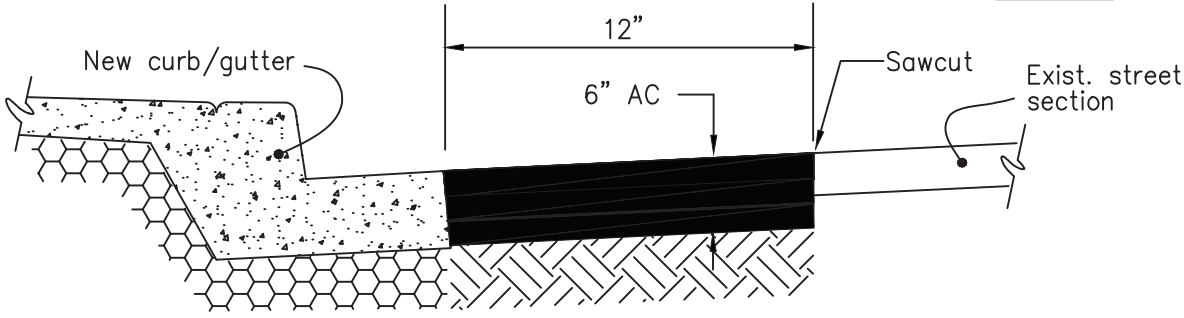
#4 rebar, 12" long. Install rebar into 3" deep hole drilled into existing curb at 3' O.C. for entire length as shown.



DETAIL "A"
KEYWAY



DETAIL "B"
DOWELS



NEW OR REPLACEMENT CURB & GUTTER
AT EXISTING STREET

User note:
These details shall be used in conjunction with all the City standard details and specifications. Refer to the City standard specifications for the materials, installation, testing, protective coatings, and other requirements.

NOTE:


Curb, gutter, and sidewalk to be placed monolithically where possible. Where non-monolithic, place dowels and/or keyway as shown above.

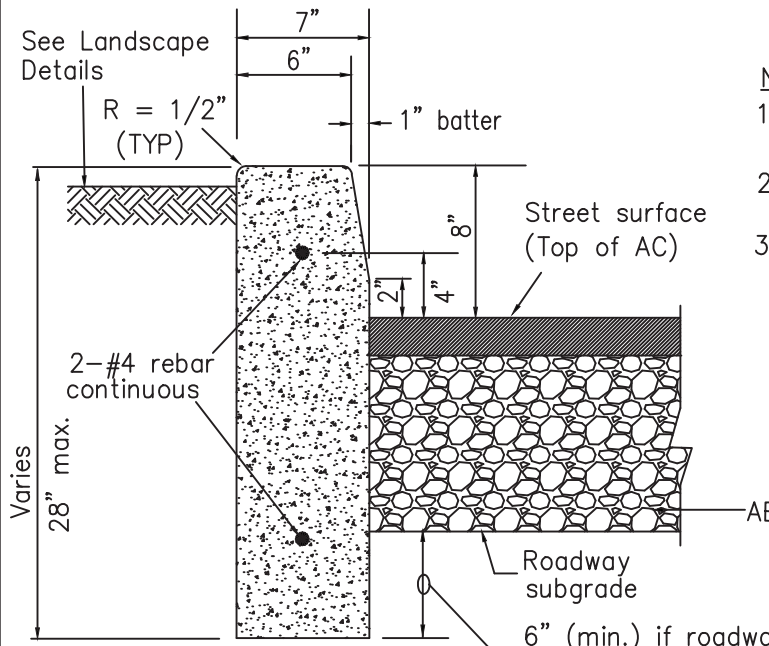
ST09A.DWG

Date	By	Rev.

CURB & GUTTER

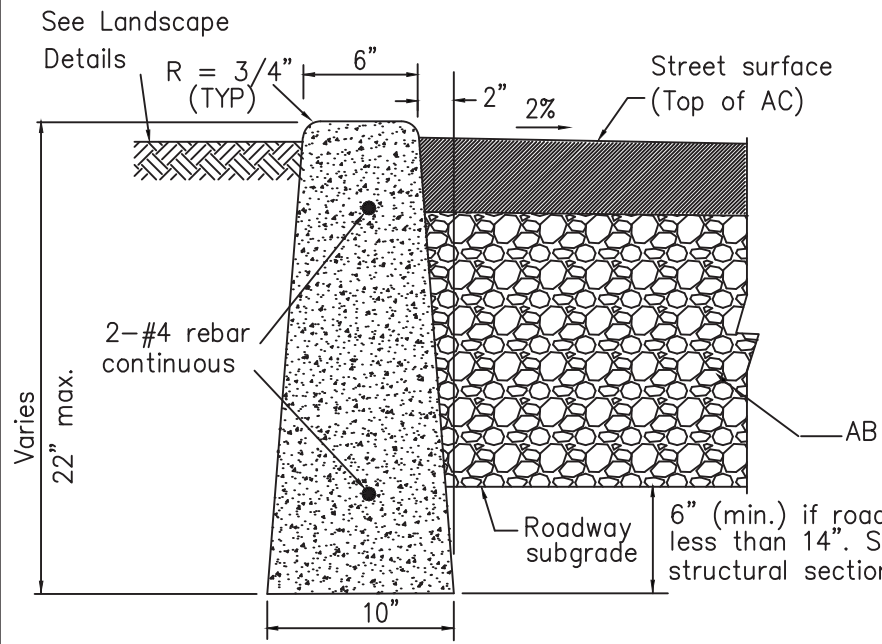
CITY OF LIVERMORE
STANDARD DETAIL

Dwn: KY/KR	Date: May-13	NO.
Ckd: Spec. Committee	Scale: NONE	
 City Engineer		ST-9A



MEDIAN CURB

- NOTES:**
1. Place deep joints at 10' spacing along median curb.
 2. See L-2B and L-2C for water barrier installation.
 3. If roadway structural section is greater than 14", install water barrier extending from top of curb to 6" below roadway subgrade. See L-2B and L-2C.



FLUSH CURB

6" (min.) if roadway structural section is less than 14". See Note 3 for roadway structural sections greater than 14".


User note:
 These details shall be used in conjunction with all the City standard details and specifications. Refer to the City standard specifications for the materials, installation, testing, protective coatings, and other requirements.

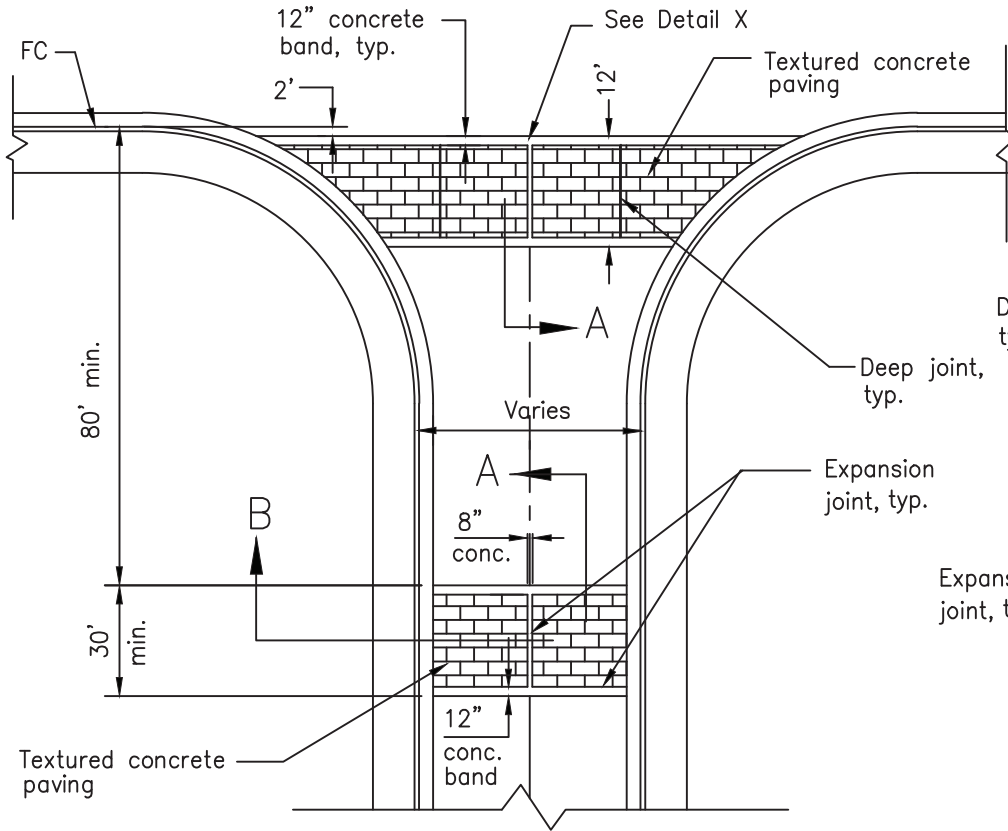
ST09B.DWG

Date	By	Rev.

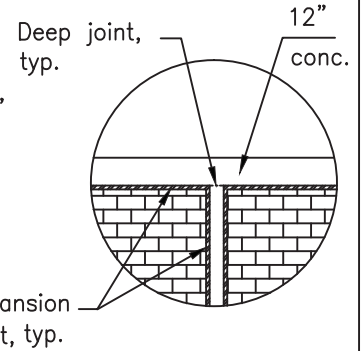
MEDIAN CURB/FLUSH CURB
 (DEEP CURB)

CITY OF LIVERMORE
 STANDARD DETAIL

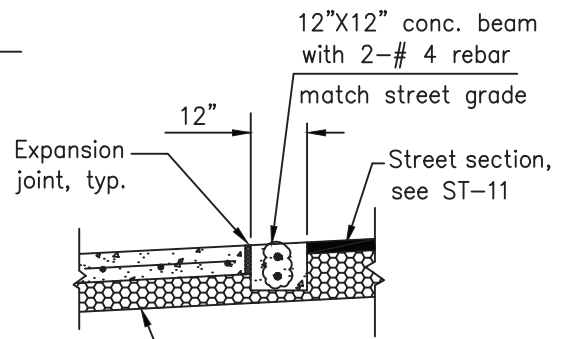
Dwn: KY/KR	Date: May-13	NO.
Ckd: Spec. Committee	Scale: NONE	
 City Engineer		ST-9B



PLAN



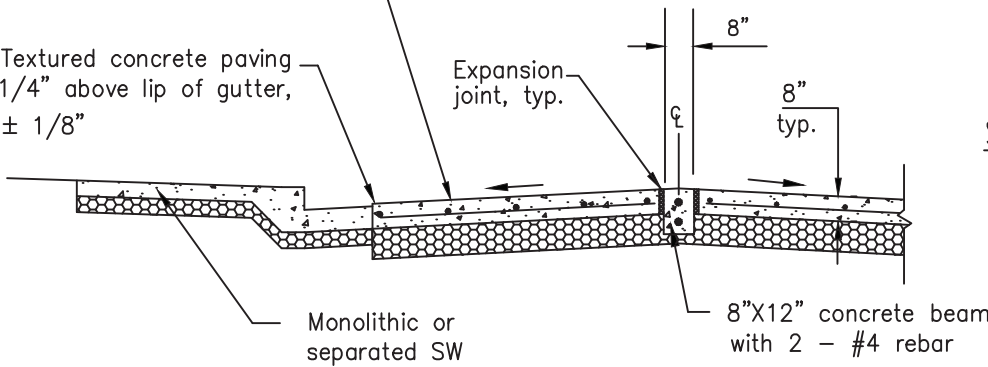
DETAIL X



SECTION "A"

Textured concrete paving
W/ #3 rebar @ 18" O.C.
each way, 3" clearance
from top of concrete,
see drawing for texture
and color

Textured concrete paving
1/4" above lip of gutter,
± 1/8"



SECTION "B"

Monolithic or
separated SW

User note:
These details shall be used
in conjunction with all the
City standard details and
specifications. Refer to the
City standard specifications
for the materials, installation,
testing, protective coatings,
and other requirements.

TEXTURED CONCRETE PAVING

CITY OF LIVERMORE STANDARD DETAIL

Dwn: FY	Date: May-13	NO.
Ckd: Spec. Committee	Scale: NONE	

[Signature]
City Engineer

ST-10

ST10.DWG

Date	By	Rev.

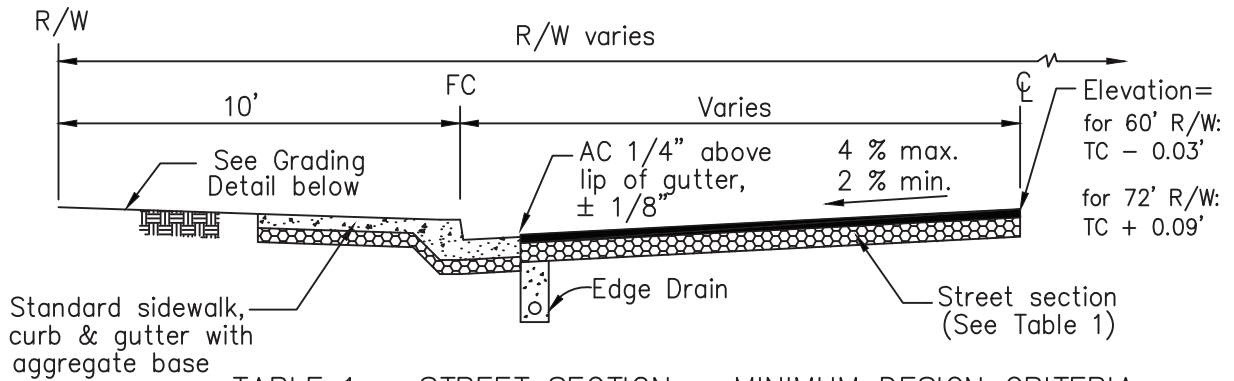


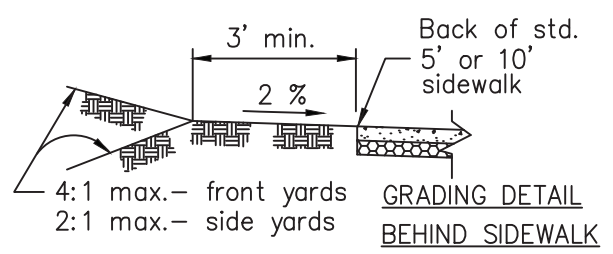
TABLE 1 - STREET SECTION - MINIMUM DESIGN CRITERIA

STREET TYPE	MIN. TRAFFIC INDEX	AC & BASE	
		MIN. AC	MIN. BASE
Private/townhouse/condo	NA	4.0"	6.0"-8.0" *
Cul-de-sac	NA	4.0"	6.0"-8.0" *
Local	NA	4.0"	6.0"-8.0" *
Collector (Residential) **	7.0	4.0"	8.0"
Major (Residential) **	9.0	5.5"	7.0"
Major (Industrial/Commercial)**	10.0	6.5"	7.0"
Frontage**	9.0	5.5"	7.0"
Industrial/Commercial**	9.0	5.5"	7.0"
Bus stops	in street area in turnout area	12" full depth AC 12" concrete. See ST-15	

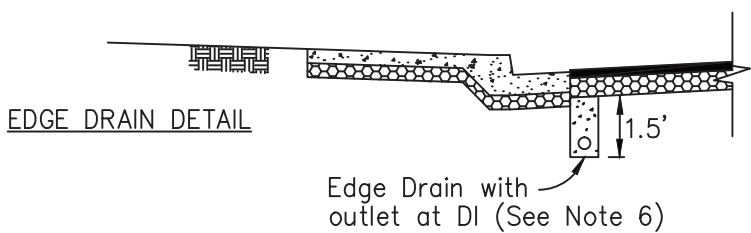
* See Table 2 - Base Thickness Requirement
 ** Street section design to be based on Caltrans flexible pavement design method
 Submit supporting data for traffic index calculation for City Engineer's approval

NOTES:

1. See ST-3, 4 & 5 for sidewalks.
2. See ST-9A for curb and gutter.
3. See ST-4, 6, 7, & 8 for driveways.
4. See ST-12 for utility locations.
5. See ST-2 for travel way and R/W widths.
6. Edge drain required at all park frontage, and at toe of slope or as required by the City Engineer.
(Construct per Caltrans Standard Plan D102, Perforated Pipe Dia.=4")




Note: No retaining walls allowed within 3' of back of sidewalk.



User note:
 These details shall be used in conjunction with all the City standard details and specifications. Refer to the City standard specifications for the materials, installation, testing, protective coatings, and other requirements.

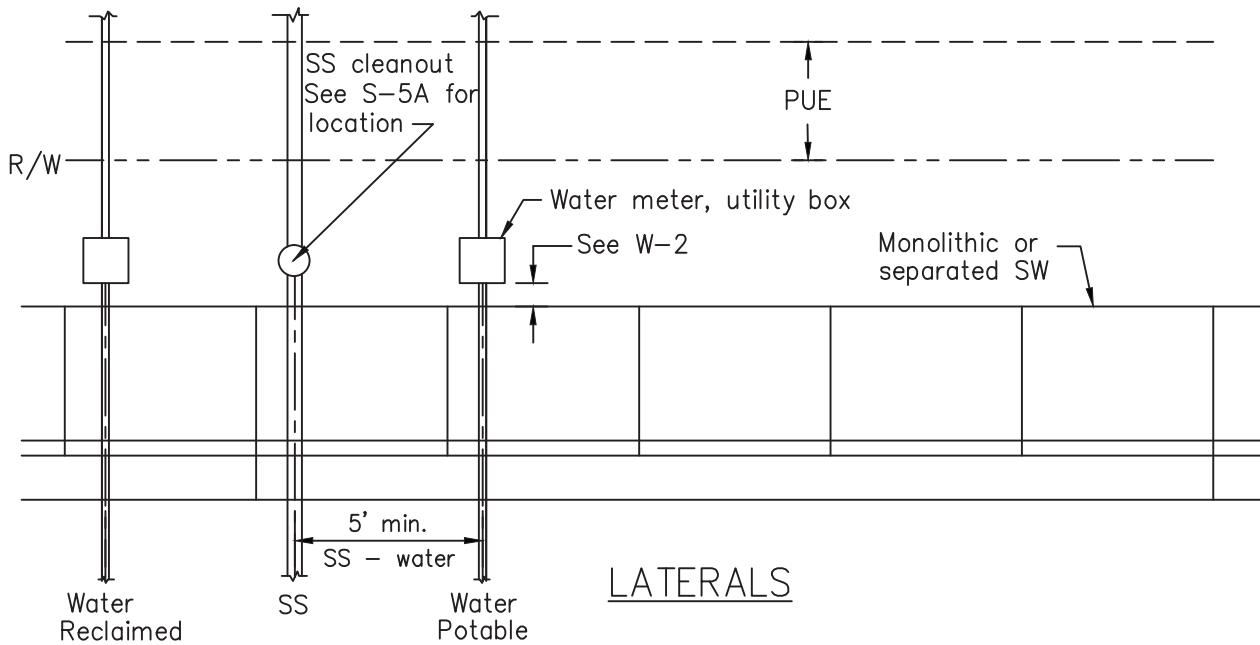
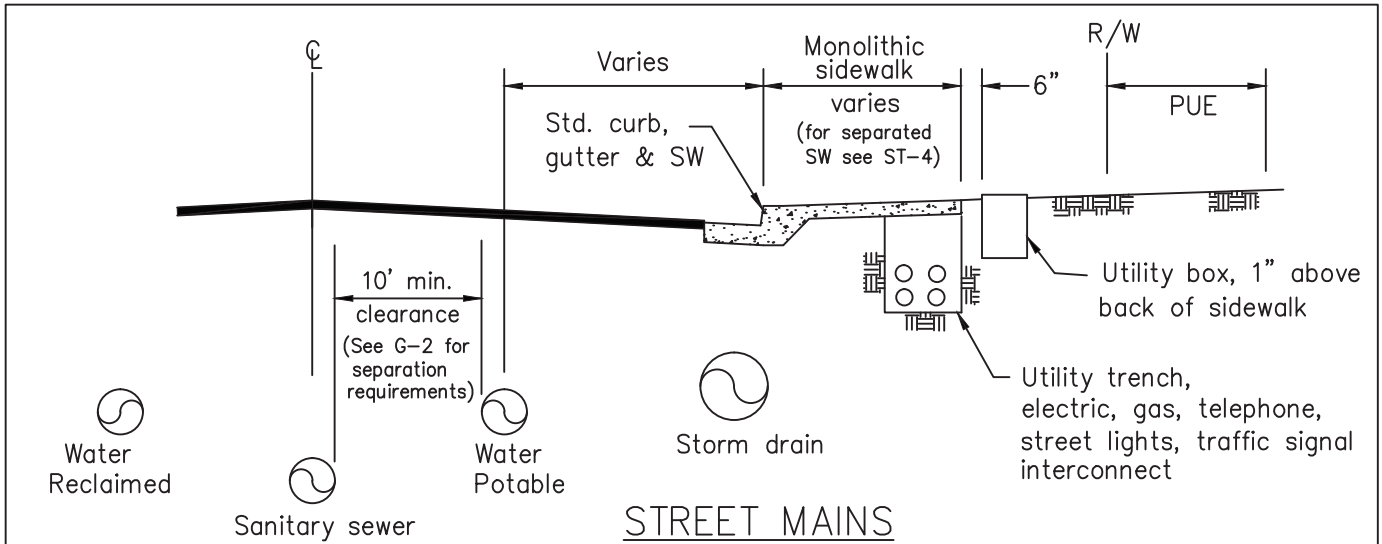
STREET SECTION

CITY OF LIVERMORE
 STANDARD DETAIL

Dwn: FY	Date: May-13	NO.
Ckd: Spec. Committee	Scale: NONE	
 City Engineer		ST-11

ST011.DWG

Date	By	Rev.



NOTES:

1. Water lines to be placed on the north or west side of the centerline.
2. See ST-3, 4, & 5 for sidewalks.
3. See ST-4, 6, 7, & 8 for driveways.
4. See ST-9A for curb and gutter.
5. Utility services shall be located a minimum of 2' away from any driveway. No utility services shall be placed beneath a driveway unless otherwise approved by the Engineer.
6. Utility boxes in driveway areas to have traffic lids.
7. A 10' distance must be maintained between reclaimed and portable water


User note:
 These details shall be used in conjunction with all the City standard details and specifications. Refer to the City standard specifications for the materials, installation, testing, protective coatings, and other requirements.

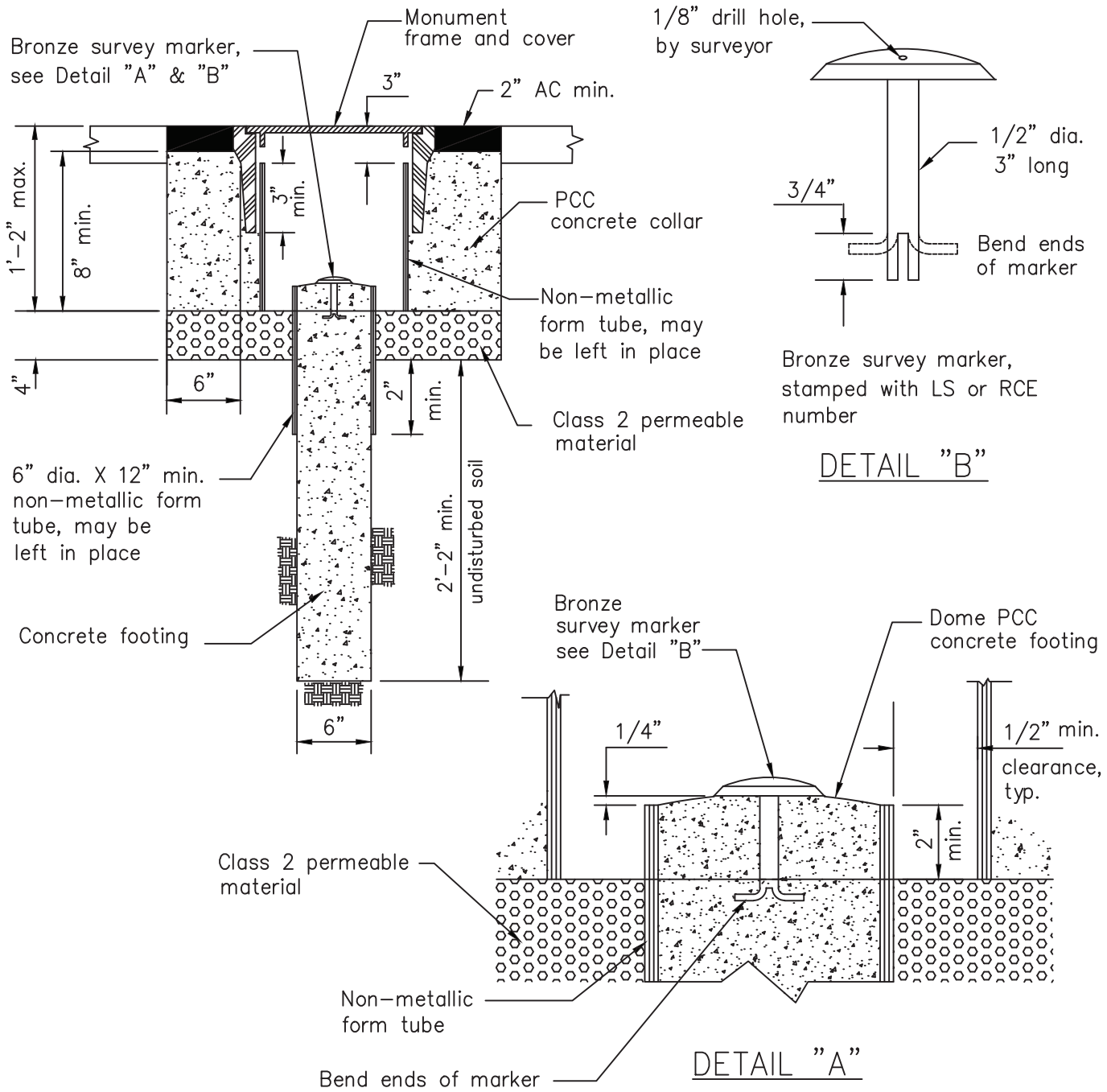
ST12.DWG

Date	By	Rev.

UTILITY LOCATIONS

CITY OF LIVERMORE
 STANDARD DETAIL

Dwn: FY	Date: May-13	NO.
Kcd: Spec. Committee	Scale: NONE	ST-12
 City Engineer		




User note:
 These details shall be used in conjunction with all the City standard details and specifications. Refer to the City standard specifications for the materials, installation, testing, protective coatings, and other requirements.

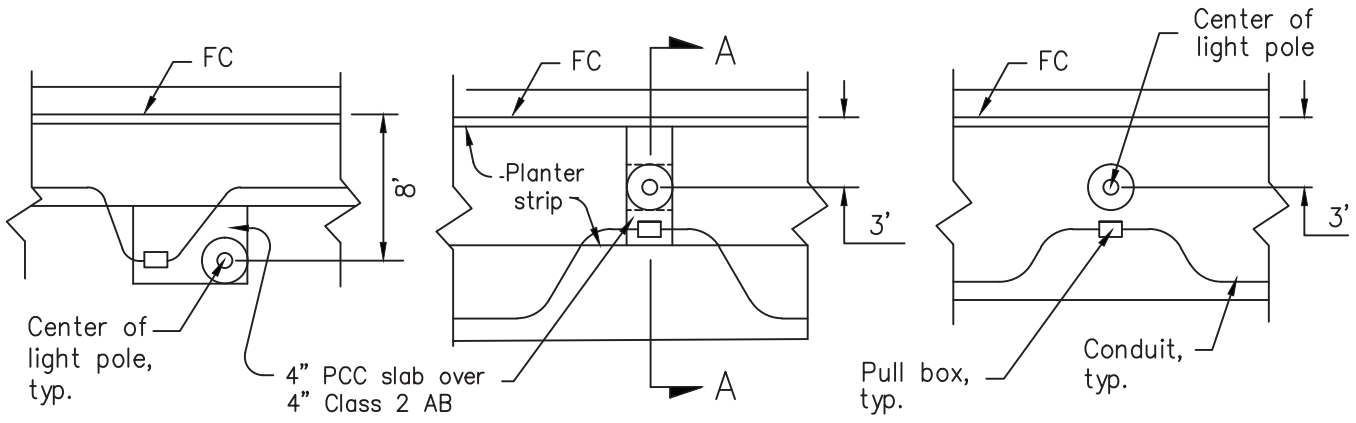
ST13.DWG

Date	By	Rev.

MONUMENT

CITY OF LIVERMORE
 STANDARD DETAIL

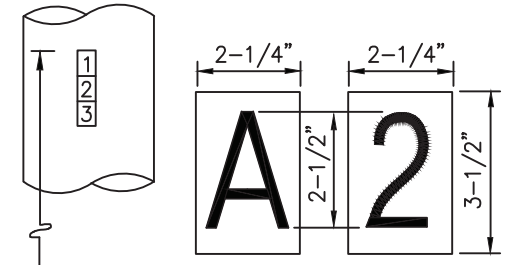
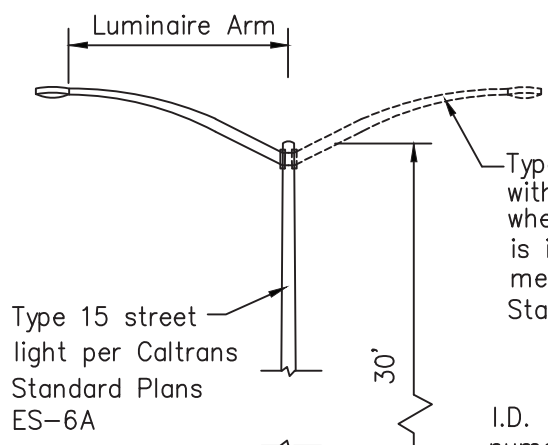
Dwn: KY	Date: May-13	NO.
Spec. Committee	Scale: NONE	
 City Engineer		ST-13



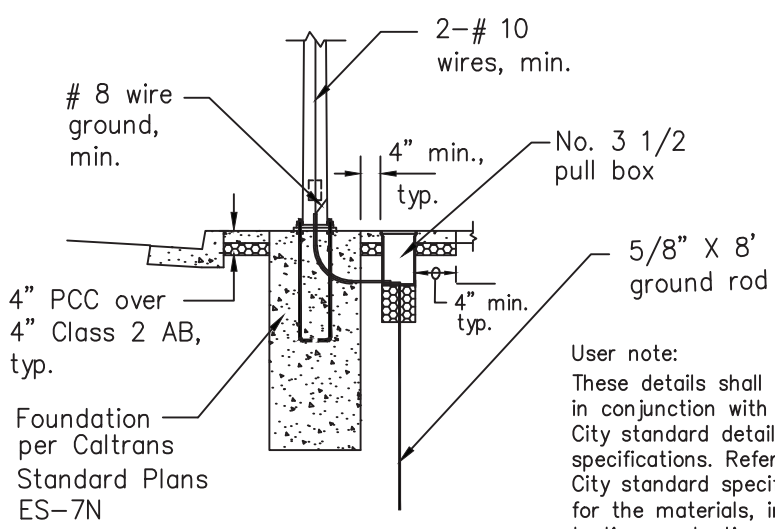
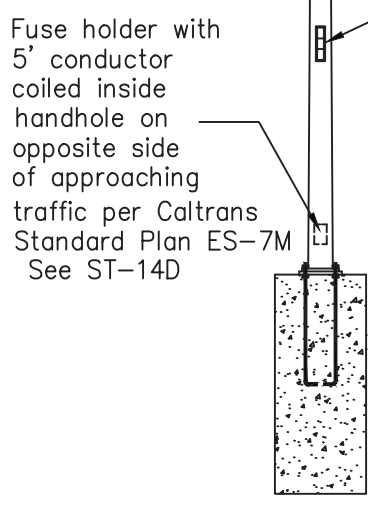
5' SIDEWALK
Luminaire Arm = 12'

SEPARATED SIDEWALK
Luminaire Arm = 6'

10' SIDEWALK
Luminaire Arm = 6'



I.D. NUMERALS
TYPICAL DIMENSIONS




SECTION A-A

User note:
These details shall be used in conjunction with all the City standard details and specifications. Refer to the City standard specifications for the materials, installation, testing, protective coatings, and other requirements.

ST14A.DWG			
Date	By	Rev.	

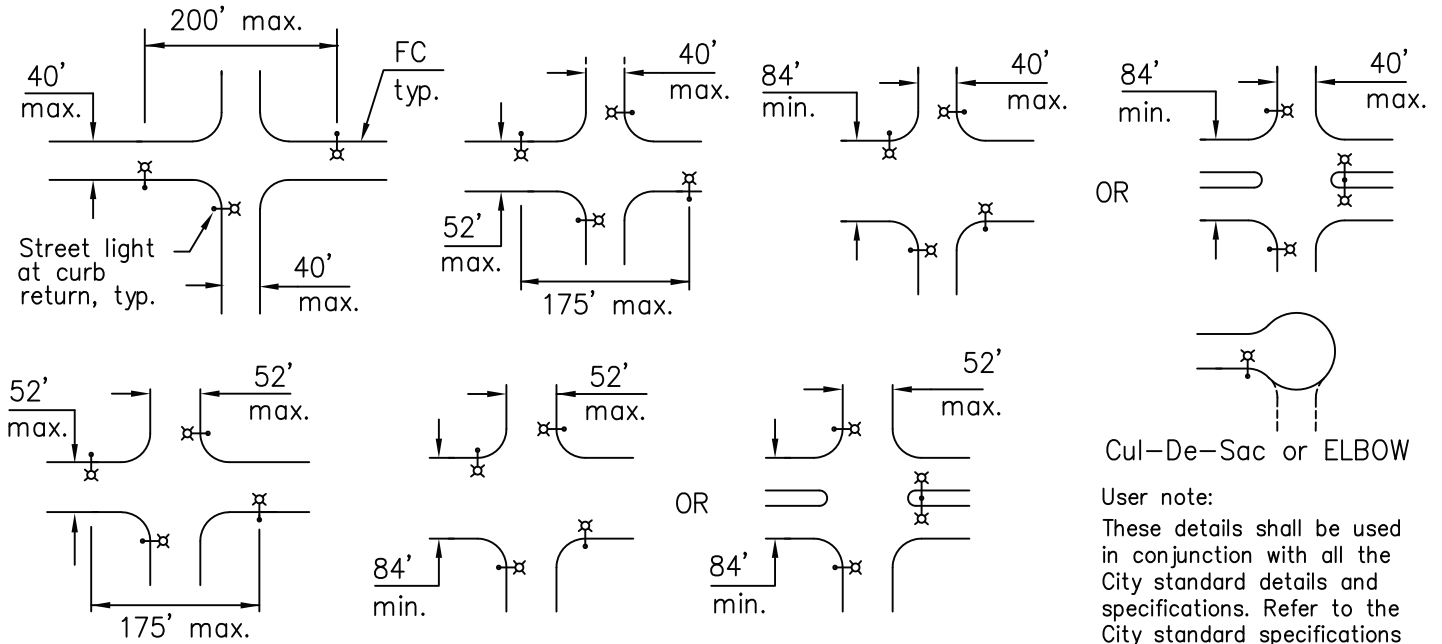
STANDARD STREET LIGHT

CITY OF LIVERMORE
STANDARD DETAIL

Dwn: FY	Date: May-13	NO.
Ckd: Spec. Committee	Scale: NONE	
 City Engineer		ST-14A

MAXIMUM STREET WIDTH (FC TO FC)	MEDIAN WIDTH	STREET LIGHT			
		LOCATION	PATTERN	MAXIMUM SPACING	LED LUMINAIRE
40'	0	roadside	staggered	* 200'	LEOTEK Green Cobra GCJ1-30J-MV-40K-2R-045 With house side shield or approved or approved equal(Max Wattage-25W Min Delivered Lumens-3900 Lm)
52'	0	roadside	staggered	* 175'	
84'	16'	roadside	staggered	160' each side	LEOTEK Green Cobra GCJ1-30J-MV-40K-2R-055 approved equal(Max Wattage-34W Min Delivered Lumens-5400 Lm)
		median	dual arm centered	200'	
96'	28'	roadside	staggered	160' each side	
		median	dual arm centered	180'	
108'	16'	roadside	staggered	200' each side	LEOTEK Green Cobra GCJ3-30J-MV-40K-2R-095 approved equal(Max Wattage-67W Min Delivered Lumens-9300 Lm)
		median	dual arm centered	200'	
120'	28'	roadside	staggered	200' each side	
		median	dual arm centered	200'	

* NOTE: The maximum street light spacing may be increased by 40% on industrial streets up to 52' wide.



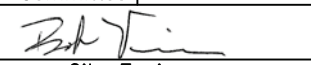
MINIMUM INTERSECTION AND CUL-DE-SAC LIGHTING REQUIREMENTS

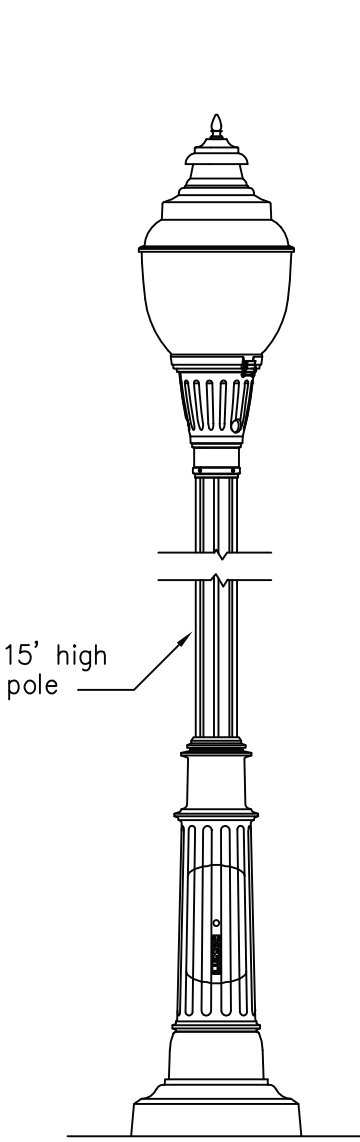
User note:
These details shall be used in conjunction with all the City standard details and specifications. Refer to the City standard specifications for the materials, installation, testing, protective coatings, and other requirements.

ST14B.DWG

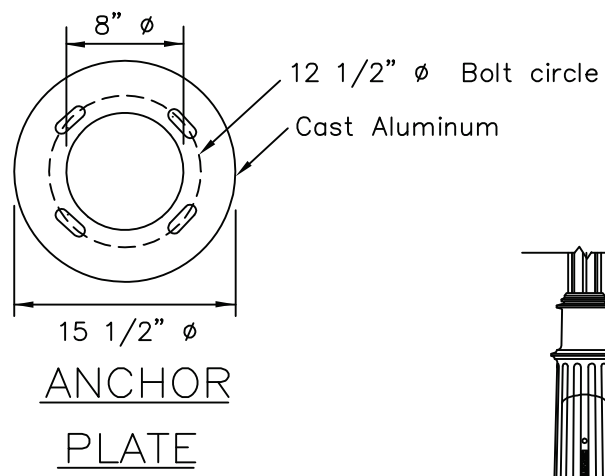
Date	By	Rev.

STANDARD STREET LIGHT LAYOUT

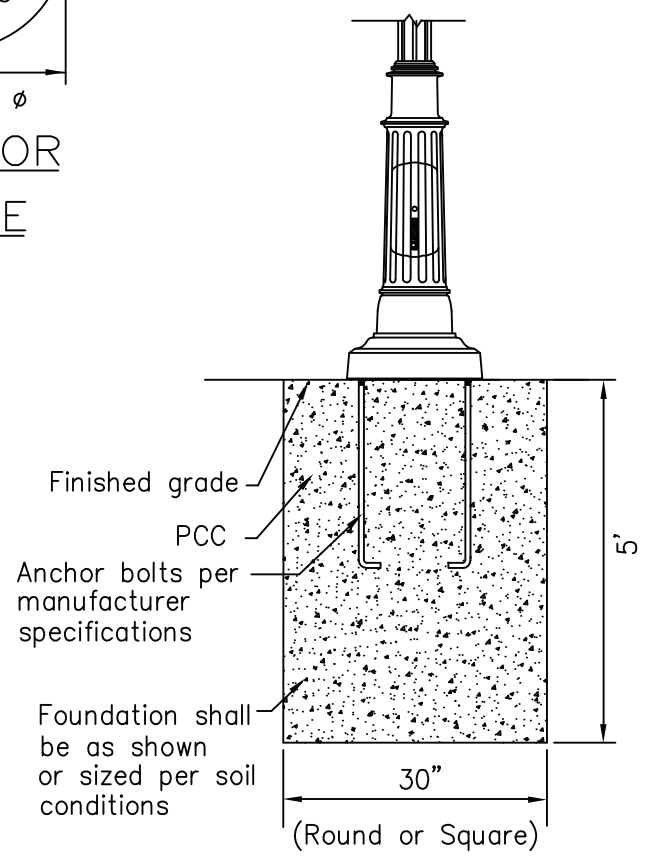
CITY OF LIVERMORE STANDARD DETAIL		
Dwn: KY/HI	Date: Sept-22	NO. ST-14B
Ckd: ^{Spec.} Committee	Scale: NONE	
 City Engineer		



LUMEC LUMINAIRE
AND POLE



ANCHOR
PLATE



TYPICAL FOUNDATION

NOTE:

1. PULL BOX LOCATION PER ST-14A
2. THIS STREET LIGHT TO BE INSTALLED IN ALL AREAS OF THE CITY EXCEPT WHERE THE DOWNTOWN AND FIRST STREET LIGHT LOCATIONS ARE SPECIFIED ON DETAIL ST-14E

DECORATIVE STREET LIGHT LAYOUT

MAXIMUM STREET WIDTH FC TO FC	STREET LIGHT		LED LUMINAIRE	
	LOCATION	PATTERN	SIZE WATT	MAXIMUM SPACING
40'	roadside	staggered	65	160'

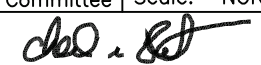
User note:
These details shall be used in conjunction with all the City standard details and specifications. Refer to the City standard specifications for the materials, installation, testing, protective coatings, and other requirements.

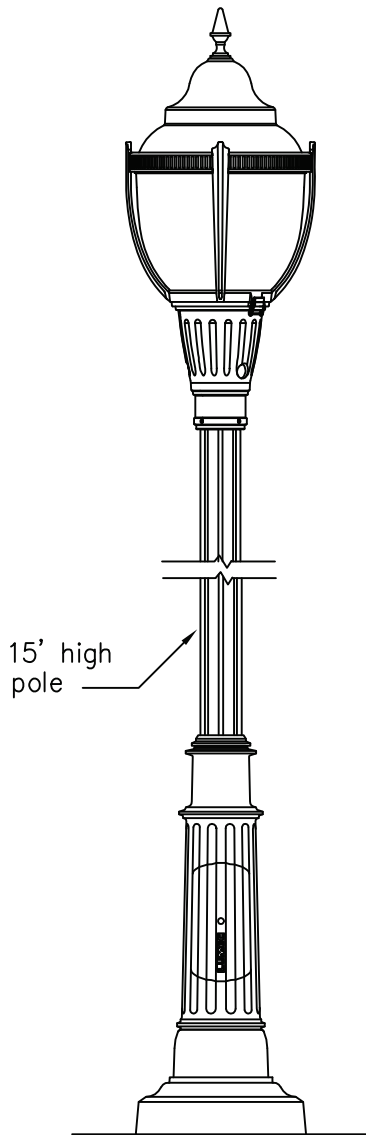
ST14C.DWG

Date	By	Rev.

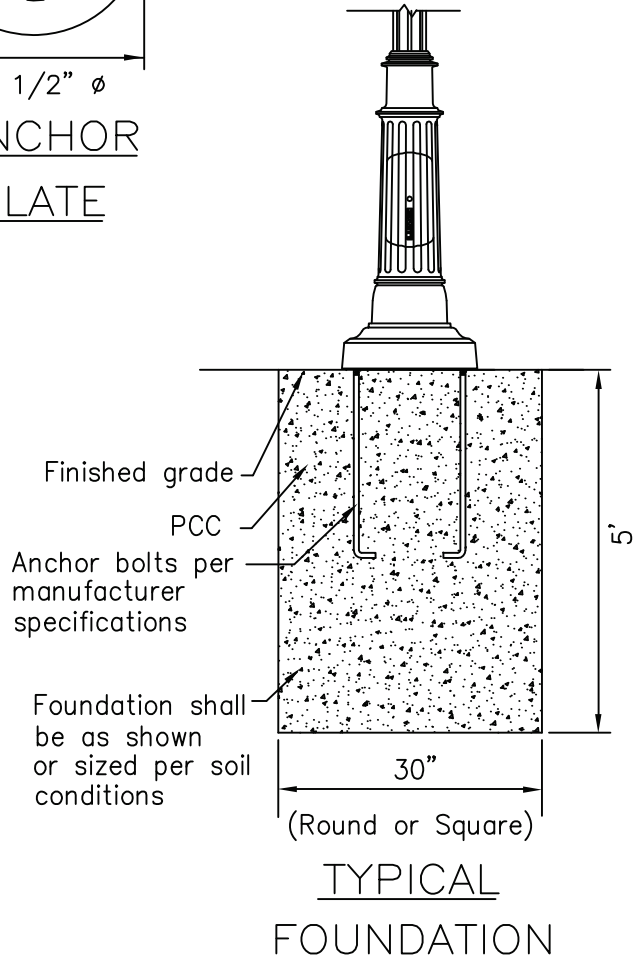
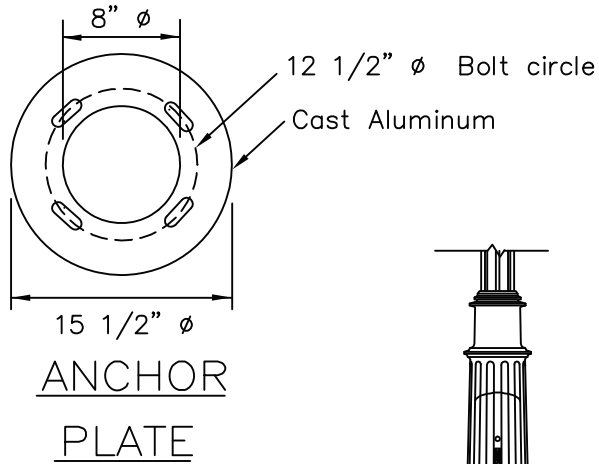
DECORATIVE
STREET LIGHT

CITY OF LIVERMORE
STANDARD DETAIL

Dwn: FY	Date: May-13	NO.
Ckd: Spec. Committee	Scale: NONE	ST-14C
 City Engineer		



LUMEC LUMINAIRE
AND POLE



NOTE:

1. PULL BOX LOCATION PER ST-14A

DECORATIVE STREET LIGHT LAYOUT

STREET LIGHT		LED LUMINAIRE	
LOCATION	PATTERN	SIZE WATT	MAXIMUM SPACING
roadside	staggered	90	100'

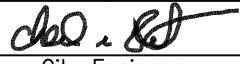
User note:

These details shall be used in conjunction with all the City standard details and specifications. Refer to the City standard specifications for the materials, installation, testing, protective coatings, and other requirements.

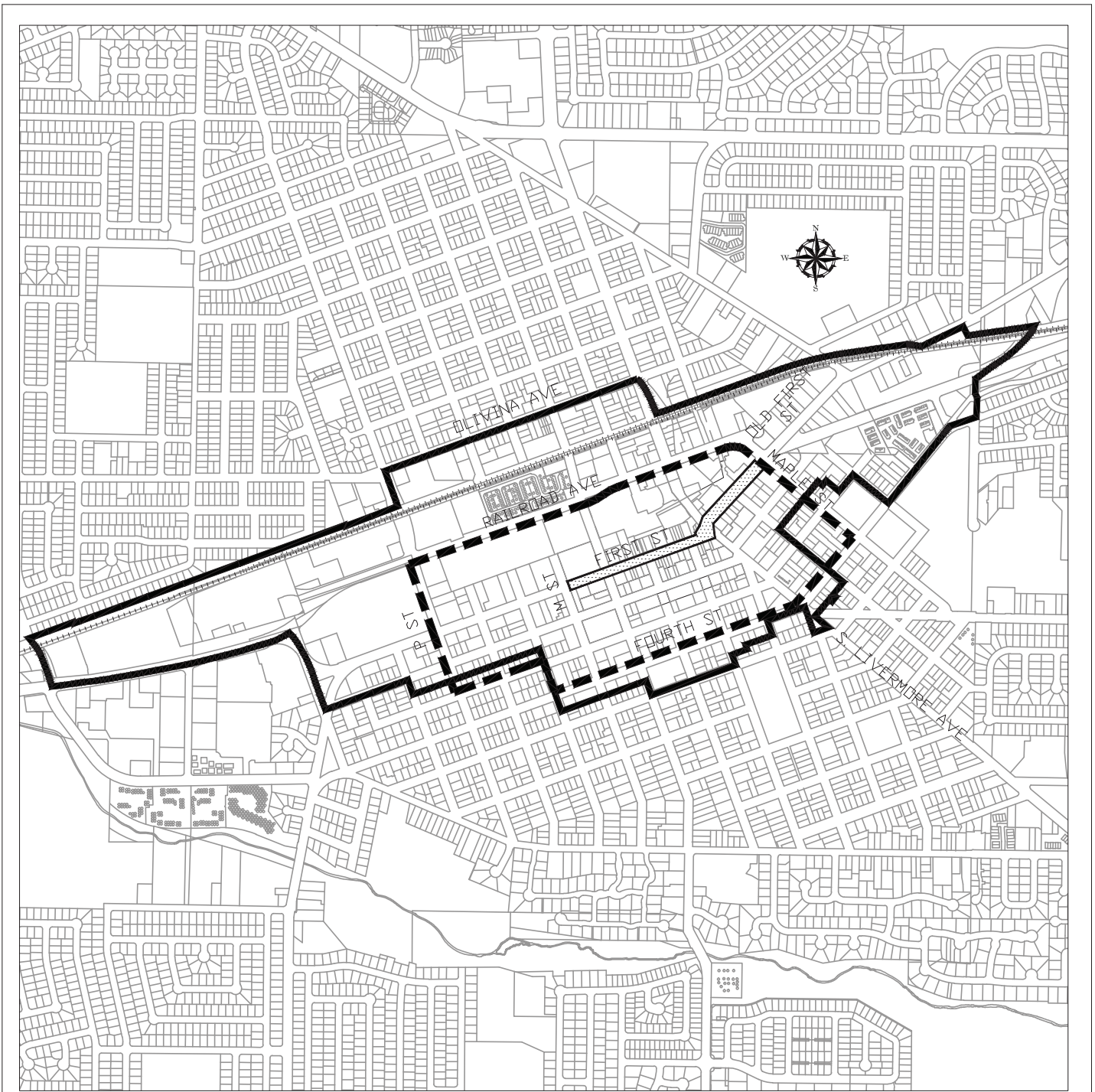
ST14C.DWG

DOWNTOWN DECORATIVE
STREET LIGHT

CITY OF LIVERMORE
STANDARD DETAIL

Dwn: FY	Date: May-13	NO.
Ckd: Spec. Committee	Scale: NONE	ST-14D
 City Engineer		

Date	By	Rev.
------	----	------



STREET LIGHT BOUNDARY

- First Street Decorative Street Light to be installed on First Street in the Downtown Core Area between Old First Street and M Street only. (See detail ST-14F)
- Downtown Decorative Street Light to be installed within this boundary except for the Downtown Core Area of First Street as indicated above. (See detail ST-14D)
- Downtown Specific Plan Area Boundary.

User note:

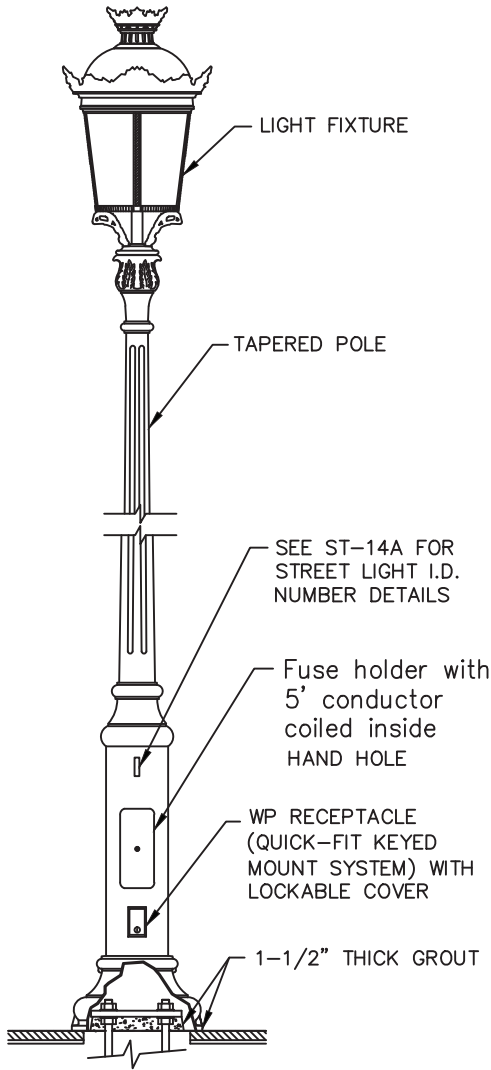
These details shall be used in conjunction with all the City standard details and specifications. Refer to the City standard specifications for the materials, installation, testing, protective coatings, and other requirements.

Date	By	Rev.	

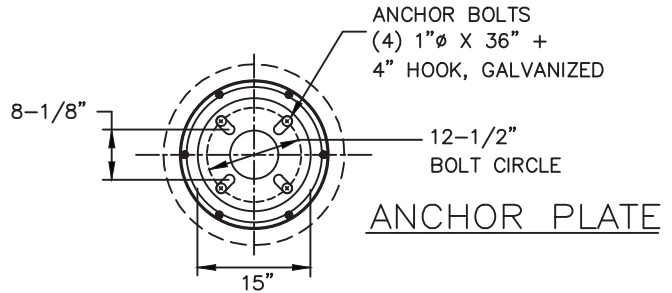
DOWNTOWN DECORATIVE
STREET LIGHT

CITY OF LIVERMORE
STANDARD DETAIL

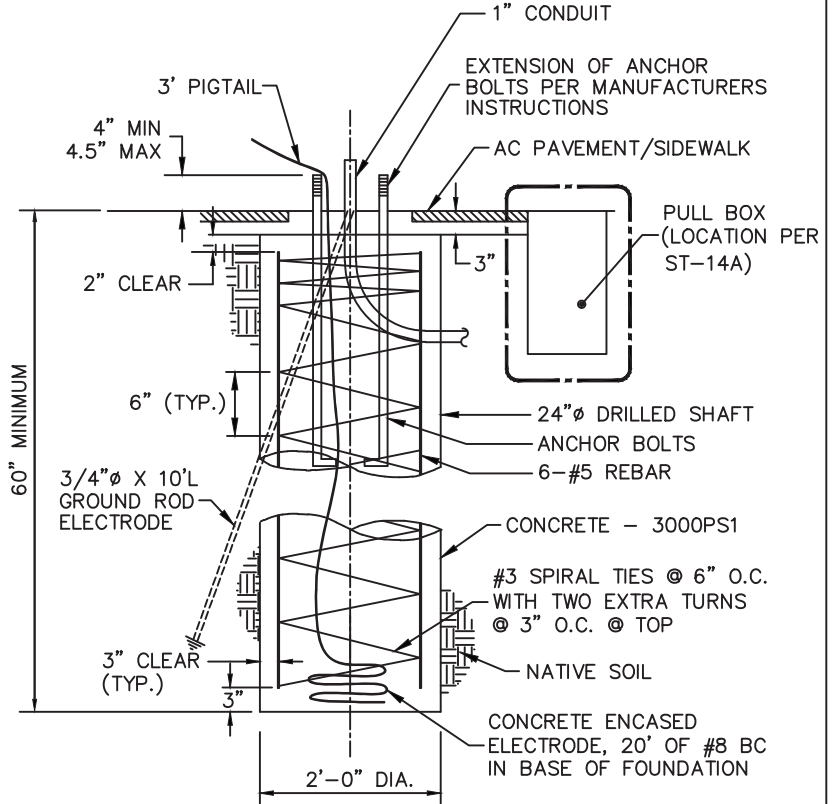
Dwn: FY	Date: May-13	NO.
Kcd: Spec. Committee	Scale: NONE	
		ST-14E
City Engineer		



LUMEC LUMINAIRE
AND POLE



ANCHOR PLATE



TYPICAL
FOUNDATION

DECORATIVE STREET LIGHT LAYOUT

	LUMINAIRE TYPE	POLE HEIGHT	POLE SPACING
MAIN CORE	100w METAL HALIDE	9'	50'
THIS LIGHT TO BE USED ON FIRST STREET BETWEEN OLD FIRST ST. AND M STREET ONLY			
SEE ST-14E FOR STREET LIGHT USE BOUNDARIES			

User note:


These details shall be used in conjunction with all the City standard details and specifications. Refer to the City standard specifications for the materials, installation, testing, protective coatings, and other requirements.

ST14D.DWG

Date	By	Rev.

FIRST STREET
DECORATIVE
STREET LIGHT

CITY OF LIVERMORE
STANDARD DETAIL


Dwn: FY	Date: May-13	NO.
Ckd: Spec. Committee	Scale: NONE	
 City Engineer		ST-14F

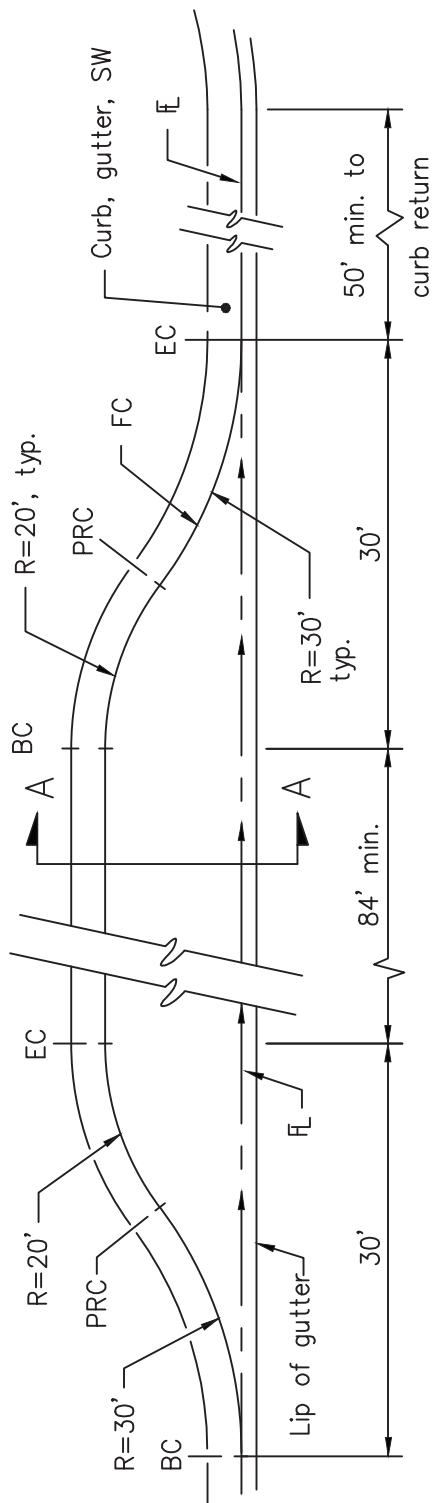
ST15.DWG

Date	By	Rev.

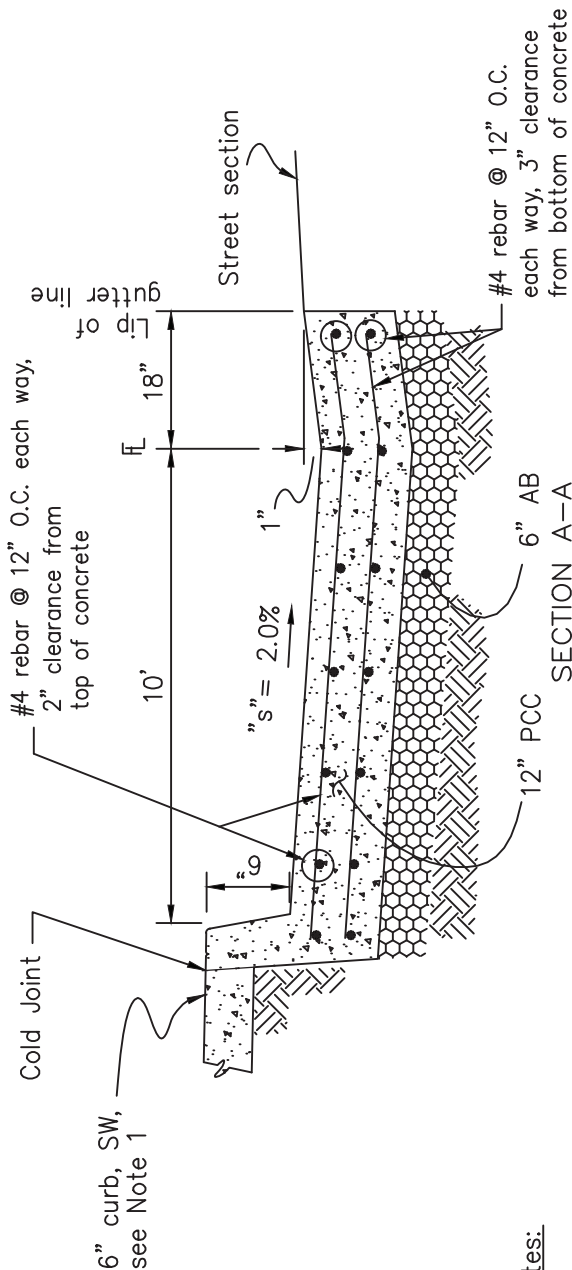
BUS TURNOUT

CITY OF LIVERMORE STANDARD DETAIL

Dwn: FY	Date: May-13	NO.
Ckd: Spec. Committee	Scale: NONE	
 City Engineer		ST-15



BC = begin curve
 PRC = point of reverse curve
 EC = end curve

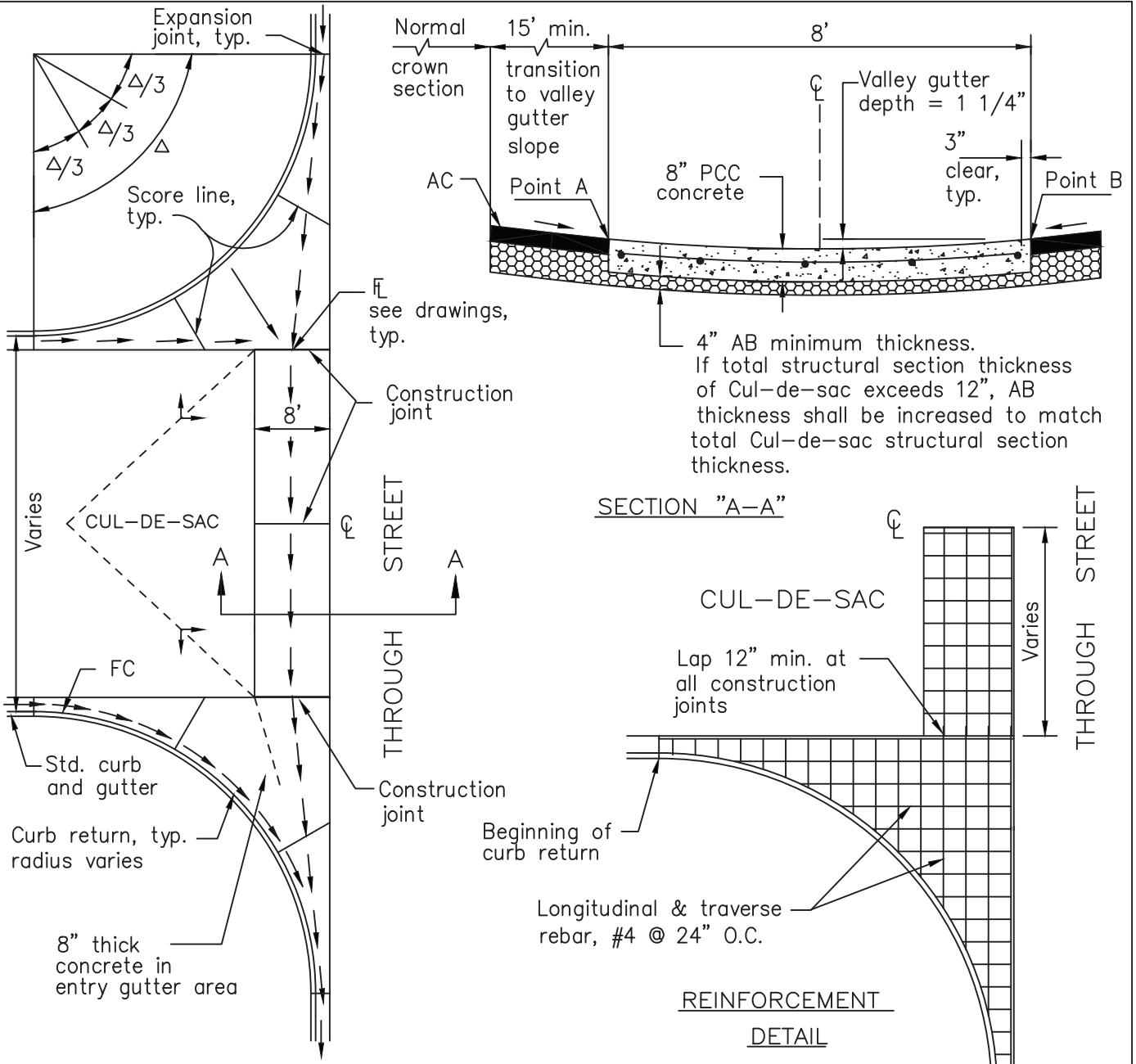


Notes:

1. See ST-9A or 9B for curb detail.
2. \bar{E} elevation to control TC elevation.
3. Bus turnout to be installed beyond intersection, not immediately before intersection.
4. See ST-11 for bus stop structural section in paved areas.

User note:

These details shall be used in conjunction with all the City standard details and specifications. Refer to the City standard specifications for the materials, installation, testing, protective coatings, and other requirements.



NOTES:


1. See ST-9A for curb and gutter.
2. Points A & B shall be at the same elevation.
3. Pavement replacement for existing street shall be approved on a case by case basis by the Engineer.

User note:
 These details shall be used in conjunction with all the City standard details and specifications. Refer to the City standard specifications for the materials, installation, testing, protective coatings, and other requirements.

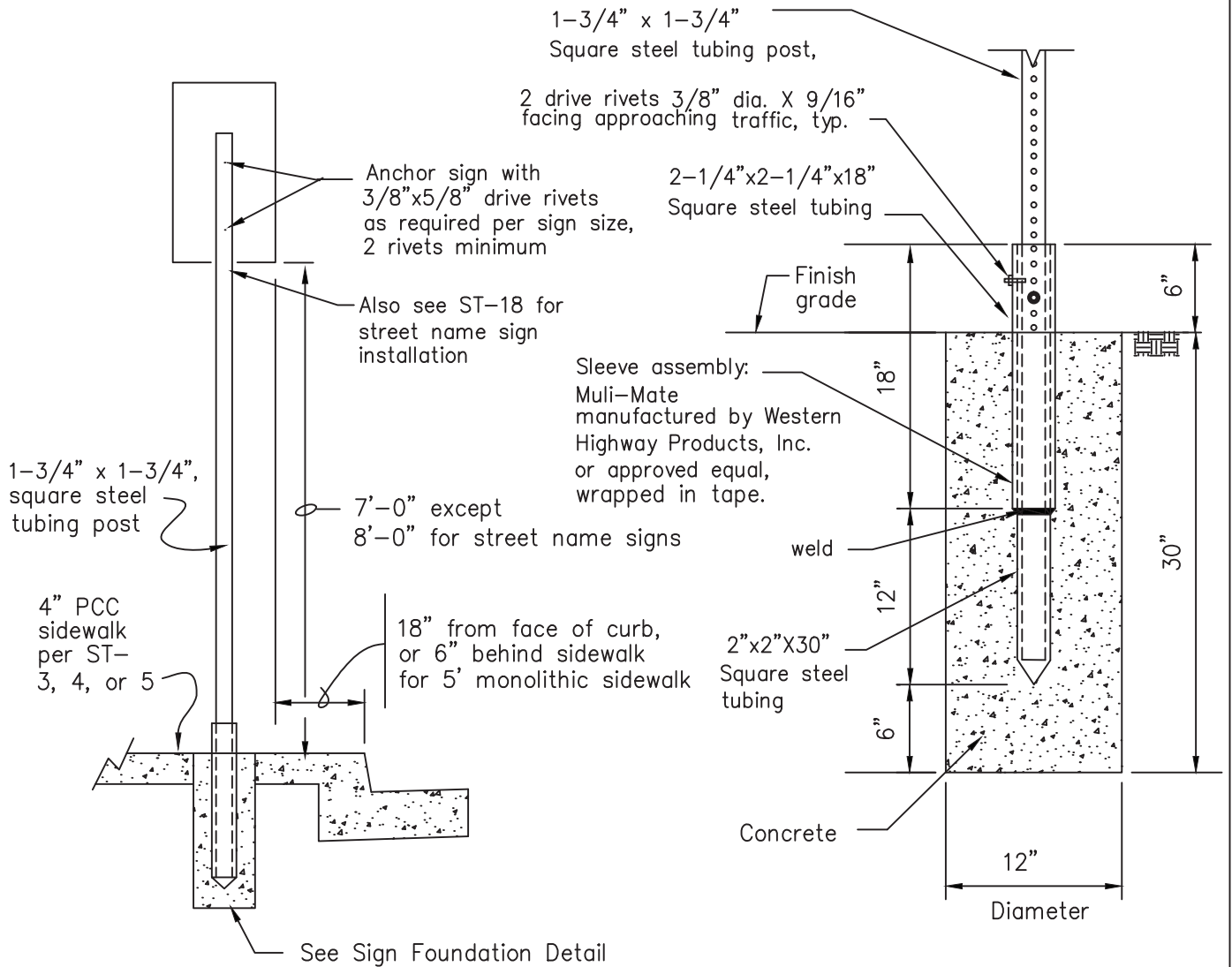
Date	By	Rev.

VALLEY GUTTER

CITY OF LIVERMORE
 STANDARD DETAIL

Dwn: KY	Date: May-13	NO.
Ckd: Spec. Committee	Scale: NONE	
 City Engineer		ST-16

ST16.DWG



STEEL POST

SIGN FOUNDATION DETAIL

NOTES:

1. See ST-18 for street name sign requirements.
2. See ST-22 for median island sign requirements.

User note:

These details shall be used in conjunction with all the City standard details and specifications. Refer to the City standard specifications for the materials, installation, testing, protective coatings, and other requirements.

ST17.DWG

Date	By	Rev.

ROADSIDE SIGN/POST
INSTALLATION

CITY OF LIVERMORE
STANDARD DETAIL

Dwn: KY/KR	Date: May-13	NO.
Ckd: Spec. Committee	Scale: NONE	

dbw. [Signature]
City Engineer

ST-17

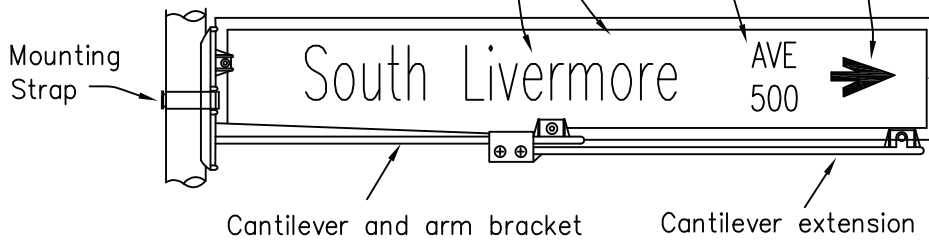
.080 aluminum blank no holes
with 1/2" corner radius, see Note 7

6" upper case (Legacy Sans Bold)
6" lower case (Highway Gothic Series C)

Block number
1-3/4" prefix and address number
(Highway gothic series C), see Note 5

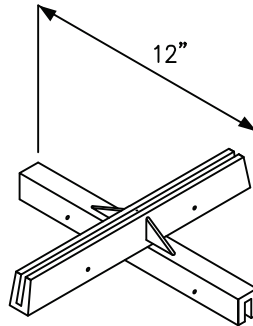
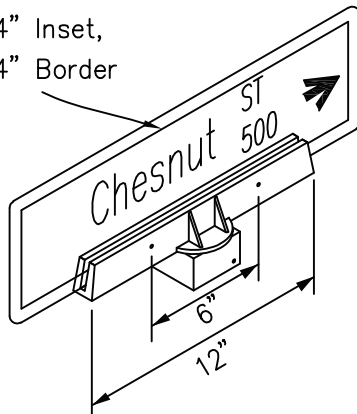
2-1/4" high x 3" long, see Note 6

1/4" Inset,
1/4" Border



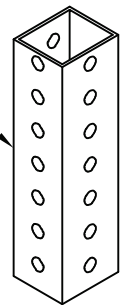
STREET NAME SIGN INSTALLATION ON A STREET LIGHT

1/4" Inset,
1/4" Border



90 DEGREE CROSSPIECE 12"

1-3/4" x 1-3/4" post
perforated tubing powder
green, see ST-17



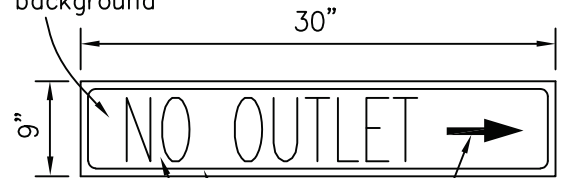
POST

NOTES:

1. Reflective sheeting material 3M DG3 4090 white.
Electro cut film 3M 1177c green reserve weed.
2. See ST-17 for pole installation.
3. Bottom of lowest sign on post to be 8'-0" min. above finish grade, and bottom of lowest sign on street light to be 10'-0" above finished grade.
4. Signs shall be installed 18" behind face of curb or 6" behind 5' monolithic sidewalk.
5. Block number to denote highest address number adjacent to intersection by hundreds (or by tens if applicable).
6. Arrow to point in direction of increase in address. Omit arrow if the street does not continue in the direction of increase.
7. The size of the street name sign blank depends on how many letters are in the name:

24" x 9 "	1-5 letters
30" x 9 "	6-8 letters
36" x 9 "	9-12 letters
42" x 9 "	13+ letters

Yellow reflective
background



5" arrow, see Note 6
1/4" border, 1/4" inset
black 4" (series "c") letters

W14-2a SPECIAL

W14-2a (Rt) SPECIAL SHOWN

User note:

These details shall be used in conjunction with all the City standard details and specifications. Refer to the City standard specifications for the materials, installation, testing, protective coatings, and other requirements.

STREET NAME SIGN
AND
W14-2a SPECIAL SIGN

CITY OF LIVERMORE
STANDARD DETAIL

Dwn: KY/KR/HI Date: Apr-23 NO.

Ckd: Spec. Committee Scale: NONE

[Signature]
City Engineer

ST-18A

ST18.DWG

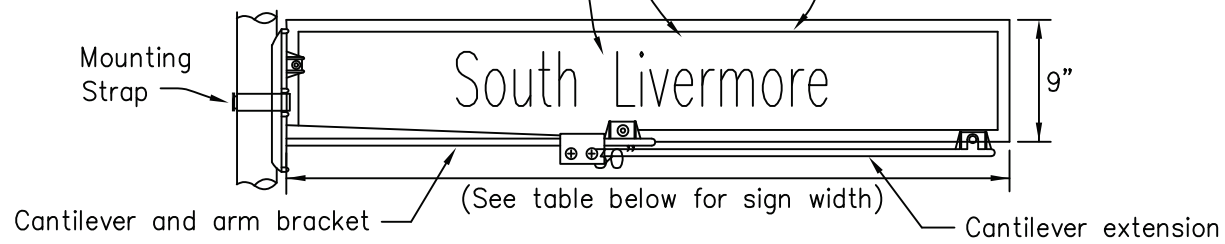
Date	By	Rev.

.080 aluminum blank no holes
with 1/2" corner radius, see Note 7

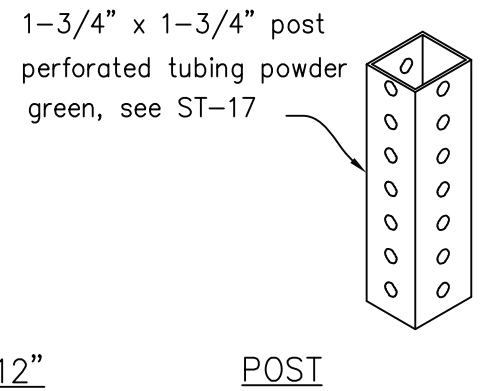
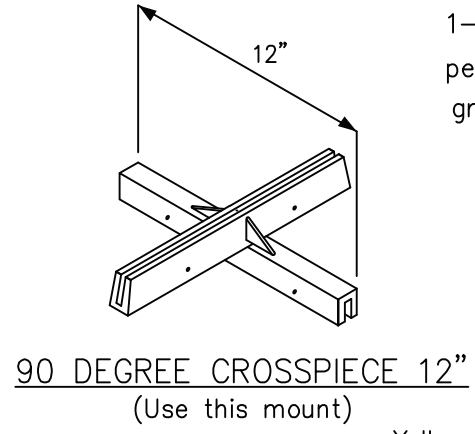
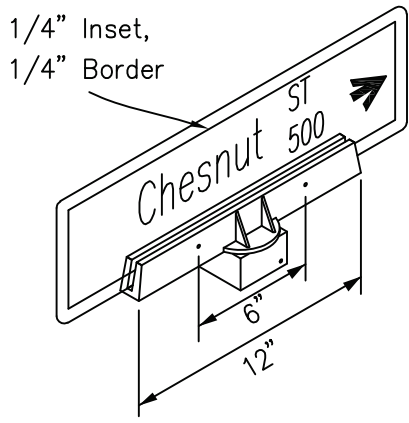
6" upper case (Legacy Sans Bold)
6" lower case (Highway Gothic Series C)

1/4" Inset,
1/4" Border
White Border

Border - White
Background - Green
Letters - White



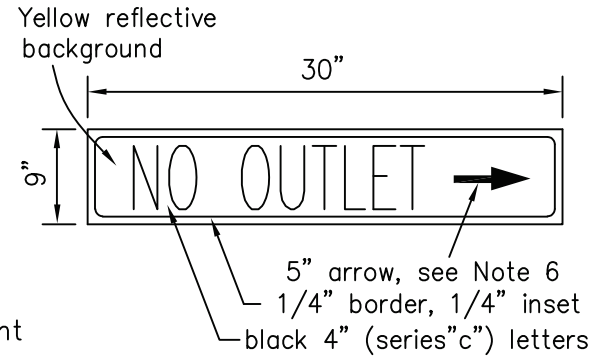
STREET NAME SIGN INSTALLATION ON A STREET LIGHT



NOTES:

1. Reflective sheeting material 3M DG3 4090 white.
Electro cut film 3M 1177c green reserve weed.
2. See ST-17 for pole installation.
3. Bottom of lowest sign on post to be 8'-0" min. above finish grade, and bottom of lowest sign on street light to be 10'-0" above finished grade.
4. Signs shall be installed 18" behind face of curb or 6" behind 5' monolithic sidewalk.
5. Block number to denote highest address number adjacent to intersection by hundreds (or by tens if applicable).
6. Arrow to point in direction of increase in address. Omit arrow if the street does not continue in the direction of increase.
7. The size of the street name sign blank depends on how many letters are in the name:

24" x 9 "	1-5 letters
30" x 9 "	6-8 letters
36" x 9 "	9-12 letters
42" x 9 "	13+ letters



W14-2a SPECIAL
W14-2a (Rt) SPECIAL SHOWN

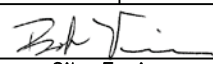
User note:
These details shall be used in conjunction with all the City standard details and specifications. Refer to the City standard specifications for the materials, installation, testing, protective coatings, and other requirements.

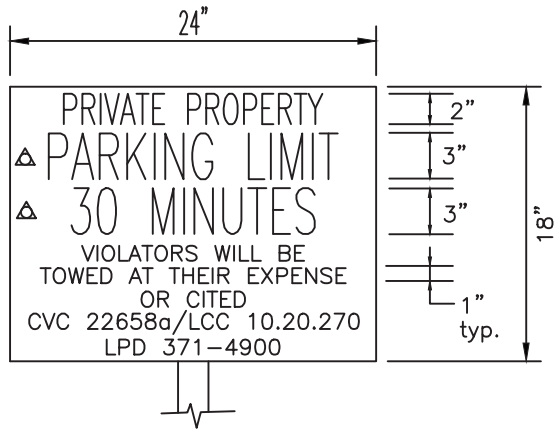
ST18.DWG

Date	By	Rev.

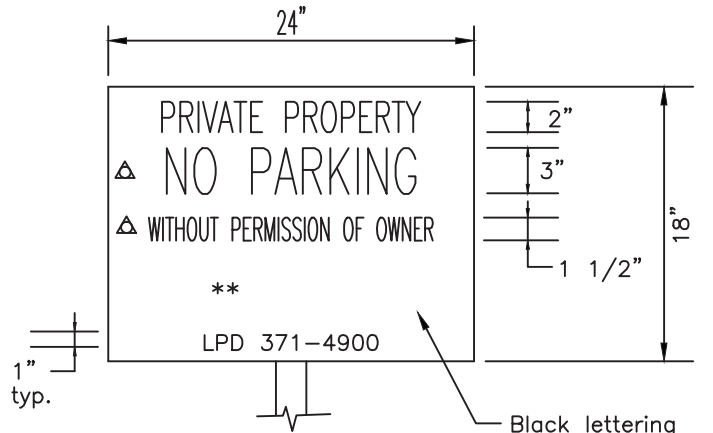
STREET NAME SIGN
(DOWNTOWN CORE) AND
W14-2a SPECIAL SIGN

CITY OF LIVERMORE
STANDARD DETAIL

Dwn: KY/KR/HI	Date: Apr-23	NO.
Ckd: Spec. Committee	Scale: NONE	
 City Engineer		ST-18B



SIGN A



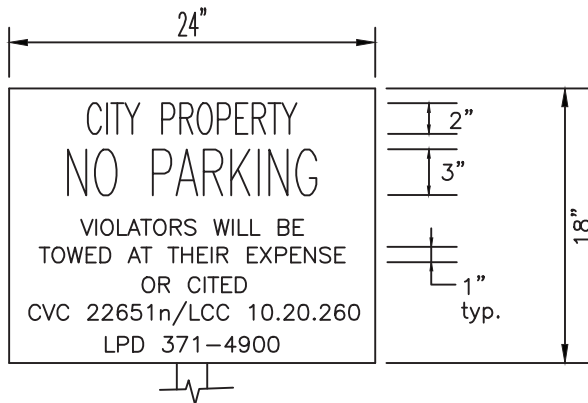
SIGN B

Black lettering on white background, typ.

** Both codes may be used together (see above example) or individually:
 " VIOLATORS WILL BE TOWED AT THEIR EXPENSE CVC 22658a "
 " VIOLATORS WILL BE CITED LCC 10.20.270 ".

Additional signs may be installed within the parking area with approval of the Planning Department.

△ Message may vary (TIME LIMIT, CUSTOMERS ONLY, etc.) with approval of the Police Department.



SIGN C

NOTES:

1. For enforcement of public traffic regulations and control see ST-20B.
2. Private Property signs to be purchased, installed and maintained at no cost to the City.
3. Private Property signs to be installed at each entrance to the subject private property outside of the public right-of-way.
4. City off-street signs on City property shall use square steel tubing poles per ST-17.
5. Optional wording : " VIOLATORS WILL BE CITED/TOWED AT THEIR EXPENSE "

User note:

These details shall be used in conjunction with all the City standard details and specifications. Refer to the City standard specifications for the materials, installation, testing, protective coatings, and other requirements.

Date	By	Rev.

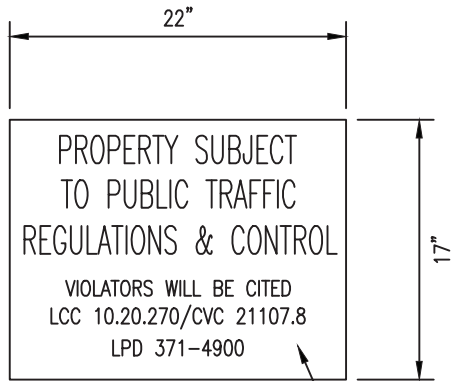
PRIVATE PROPERTY/
CITY OFF-STREET
SIGNS

CITY OF LIVERMORE
STANDARD DETAIL

Dwn: KY	Date: May-13	NO.
Kkd: Spec. Committee	Scale: NONE	

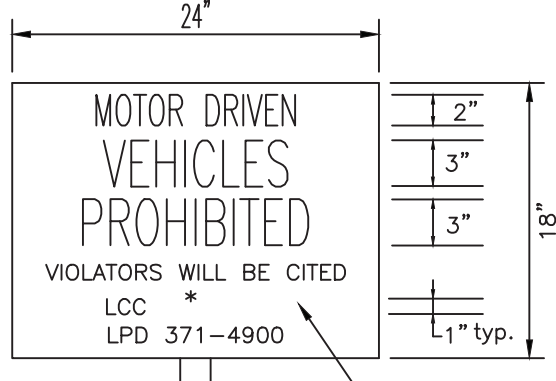
dao
City Engineer

ST-20A



SIGN D

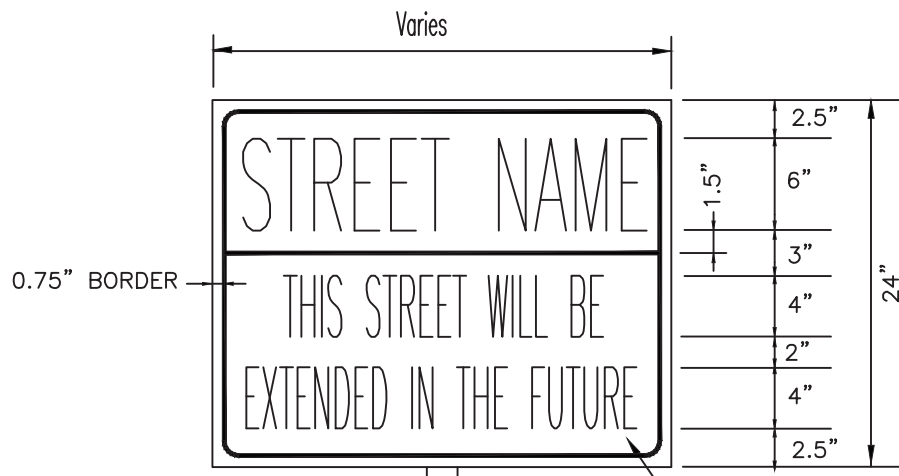
Black lettering on white background, also see Note 1



SIGN E

* 10.20.270 for private property
10.28.070 for public property

Black lettering on white background



SIGN F

* See Note 4

Black lettering on white background

NOTES:

1. The following apply to Sign D :
 - a. These signs must be posted for enforcement of public traffic regulations and control.
 - b. Signs may be posted alone or with Parking Limit signs, see ST-20A
2. Minimum letter size 1" .
3. See ST-20A for additional notes.
4. Sign F to be installed at end of stubbed streets which are to be extended in the future.


User note:
These details shall be used in conjunction with all the City standard details and specifications. Refer to the City standard specifications for the materials, installation, testing, protective coatings, and other requirements.

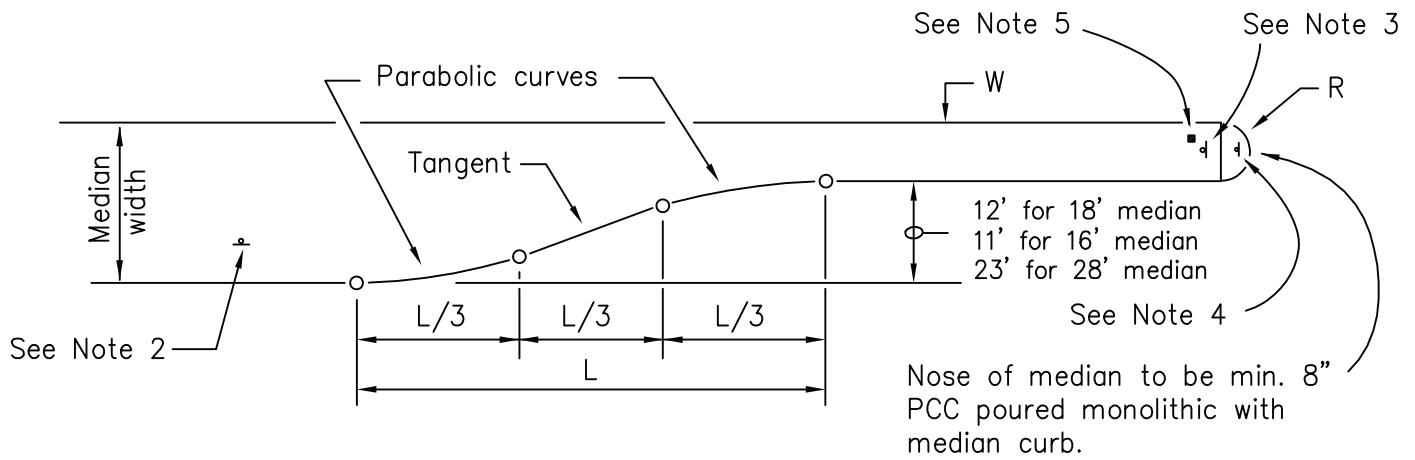
ST20B.DWG

Date	By	Rev.

PRIVATE PROPERTY/
CITY OFF-STREET
SIGNS

CITY OF LIVERMORE
STANDARD DETAIL

Dwn: KY	Date: May-13	NO.
Ckd: Spec. Committee	Scale: NONE	
 City Engineer		ST-20B



L=length of taper			Offset distance for lane width of...		
60'	90'	120'	10'	11'	12'
dist. from beg. of taper			10'	11'	12'
5	7.5	10	.16	.17	.19
10	15.0	20	.62	.69	.75
15	22.5	30	1.41	1.55	1.69
20	30.0	40	2.50	2.75	3.00
30	45.0	60	5.00	5.50	6.00
40	60.0	80	7.50	8.25	9.00
45	67.5	90	8.59	9.45	10.31
50	75.0	100	9.38	10.31	11.25
55	82.5	110	9.84	10.83	11.81
60	90.0	120	10.00	11.00	12.00

median width	W	R
16'	5'	2.5'
18'	6'	3'
28'	5'	2.5'

MEDIAN WIDTH	CURVE # ① DATA			CURVE # ② DATA		
	R	DELTA	L	R	DELTA	L
16'	2'	138° 35' 25"	4.84'	50'	41° 24' 35"	36.14'
18'	2'	139° 43' 28"	4.87'	60'	40° 34' 02"	42.48'
28'	4'	134° 11' 04"	9.38'	70'	45° 48' 56"	55.79'

Notes

- See Notes 3, 4, and 5
- R= Radius; Delta= internal angle; L= Length of curve
- In the presence of roadway features, such as curves, which would affect the layout of the median, see the drawing for layout data.

MEDIAN NOSE OPPOSITE A
LEFT TURN LANE

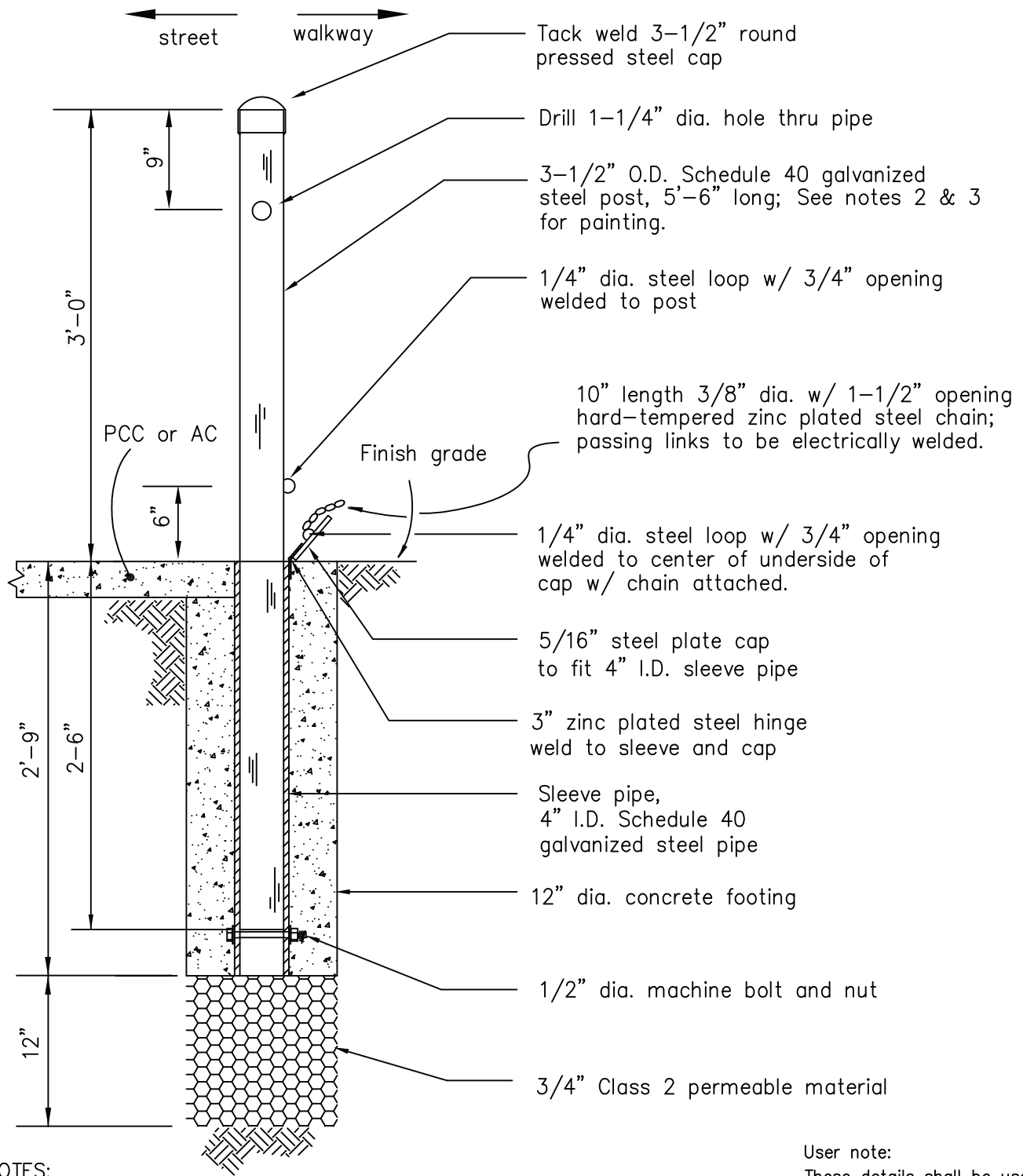
NOTES:

- See ST-2A thru ST-2C for street widths, ST-9B for median curb, and ST-17 for roadside sign/pole installation.
- Install R6-1 (rt) opposite driveways as directed by the Engineer.
- Install R4-7 ; bottom of sign 5' above median surface, 4' from nose of median, as directed by the Engineer.
- Install Type K reflector, with 8" anchor, 18" from nose of median. Paint nose w/ reflective yellow paint, as directed by the Engineer.
- All boxes installed in nose of median to be 5' from end of PCC concrete nose.

User note:
These details shall be used in conjunction with all the City standard details and specifications. Refer to the City standard specifications for the materials, installation, testing, protective coatings, and other requirements.

ST22.DWG

<h1 style="margin: 0;">MEDIAN CONSTRUCTION</h1>				<h2 style="margin: 0;">CITY OF LIVERMORE</h2> <h3 style="margin: 0;">STANDARD DETAIL</h3>												
Date		By		Rev.		<table border="1" style="width: 100%;"> <tr> <td style="width: 33%;">Dwn: KY/KR/HI</td> <td style="width: 33%;">Date: Apr-23</td> <td style="width: 33%;">NO.</td> </tr> <tr> <td>Spec. Ckd:</td> <td>Committee</td> <td>Scale: NONE</td> </tr> <tr> <td colspan="2" style="text-align: center;"> </td> <td style="text-align: center; vertical-align: bottom;"> <h1 style="margin: 0;">ST-22</h1> </td> </tr> </table>		Dwn: KY/KR/HI	Date: Apr-23	NO.	Spec. Ckd:	Committee	Scale: NONE			<h1 style="margin: 0;">ST-22</h1>
Dwn: KY/KR/HI	Date: Apr-23	NO.														
Spec. Ckd:	Committee	Scale: NONE														
		<h1 style="margin: 0;">ST-22</h1>														
						<p style="margin: 0;">City Engineer</p>										



NOTES:

1. Locate all underground utilities prior to excavating post footing.
2. Prime all metal with one coat of galvanize-compatible primer and two coats of white industrial enamel.
3. Apply two 3" wide strips of reflectorized yellow tape. Provide a 3" gap between each strip.

User note:

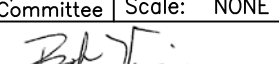
These details shall be used in conjunction with all the City standard details and specifications. Refer to the City standard specifications for the materials, installation, testing, protective coatings, and other requirements.

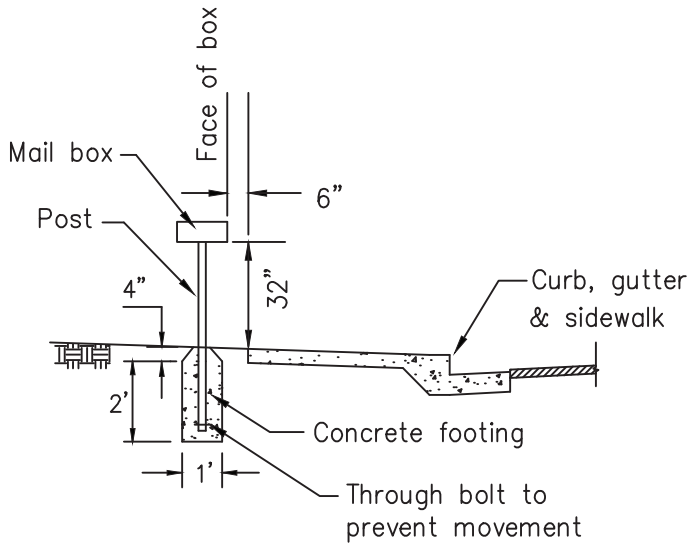
ST23.DWG

Date	By	Rev.

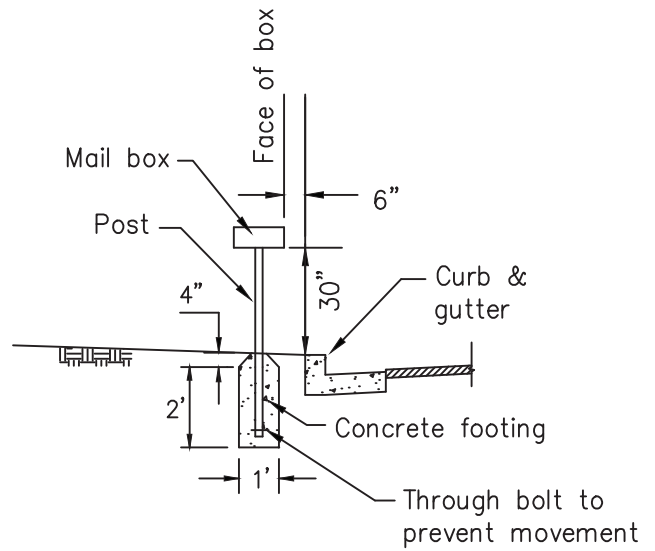
REMOVABLE BOLLARD

CITY OF LIVERMORE STANDARD DETAIL

Dwn: KY/KR/HL	Date: Apr-23	NO.
Spec. Kcd: Committee	Scale: NONE	
 City Engineer		ST-23



WITH MONOLITHIC SIDEWALK



ALL OTHER CASES

NOTES:

1. Residential boxes may be installed on 4"x4" construction Heart S4S Grade wood post set in concrete footing.
2. Residential installation shall be dual or cluster installation. Single box installation allowed only upon approval of Postmaster.
3. Install industrial boxes on 2" diameter steel pipe.
4. Industrial boxes to be installed on side of street without sidewalk, and may be single box installation.
5. Edge of box to be a minimum of :
 - 5' from poles
 - 3' from driveways
 - 10' from curb returns
 - 5' from fire hydrants in 5' SW
 - 10' from fire hydrants in 10' SW
6. Location of all boxes subject to approval of Postmaster.

User note:


These details shall be used in conjunction with all the City standard details and specifications. Refer to the City standard specifications for the materials, installation, testing, protective coatings, and other requirements.

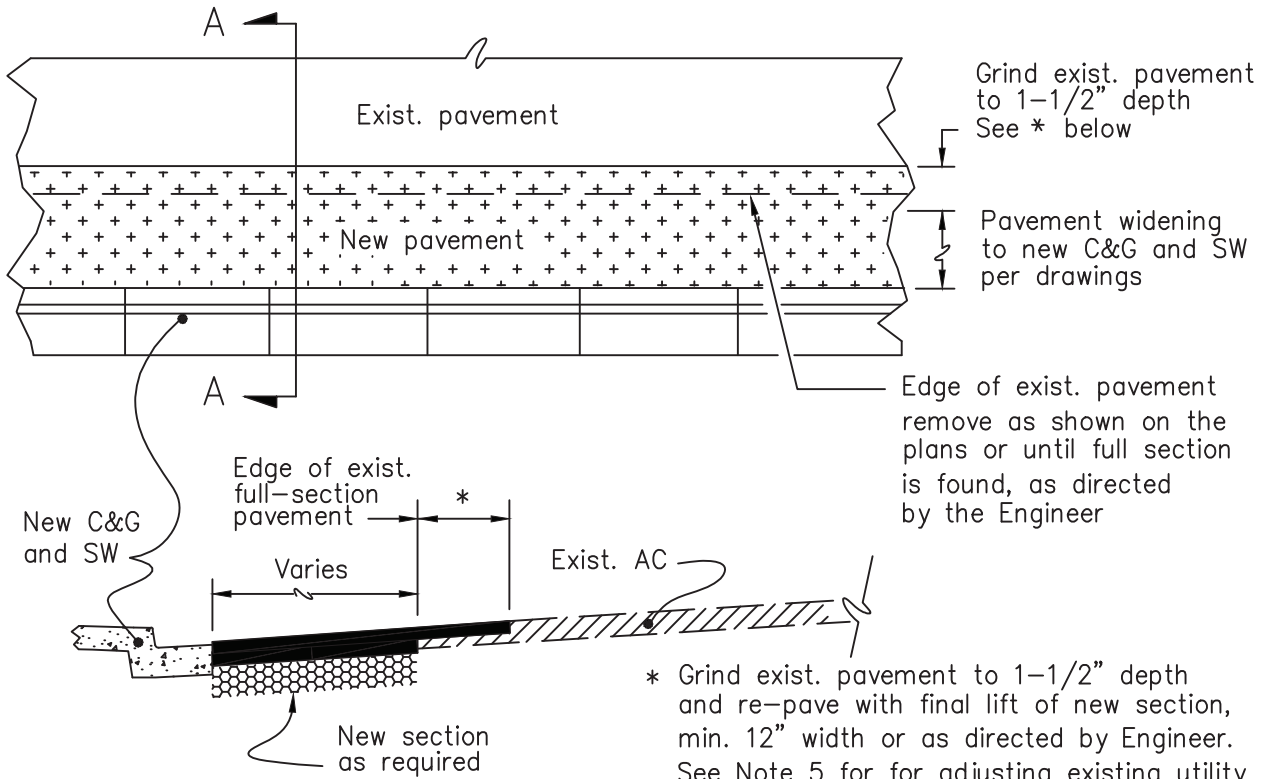
ST24.DWG

Date	By	Rev.

MAIL BOX INSTALLATION

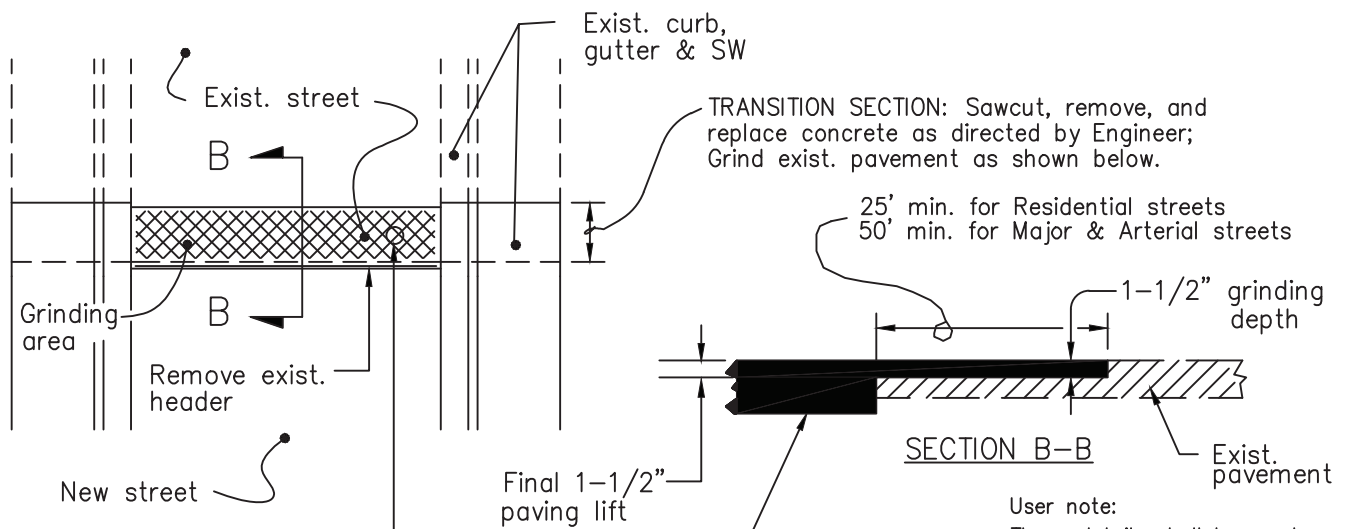
CITY OF LIVERMORE
STANDARD DETAIL

Dwn: KY	Date: May-13	NO.
Ckd: Spec. Committee	Scale: NONE	
 City Engineer		ST-24



SECTION A-A

PAVEMENT WIDENING



SECTION B-B

STREET EXTENSION

User note:
 These details shall be used in conjunction with all the City standard details and specifications. Refer to the City standard specifications for the materials, installation, testing, protective coatings, and other requirements.

ST25A.DWG

Date	By	Rev.

PAVEMENT WIDENING,
 CONNECTIONS

CITY OF LIVERMORE
 STANDARD DETAIL

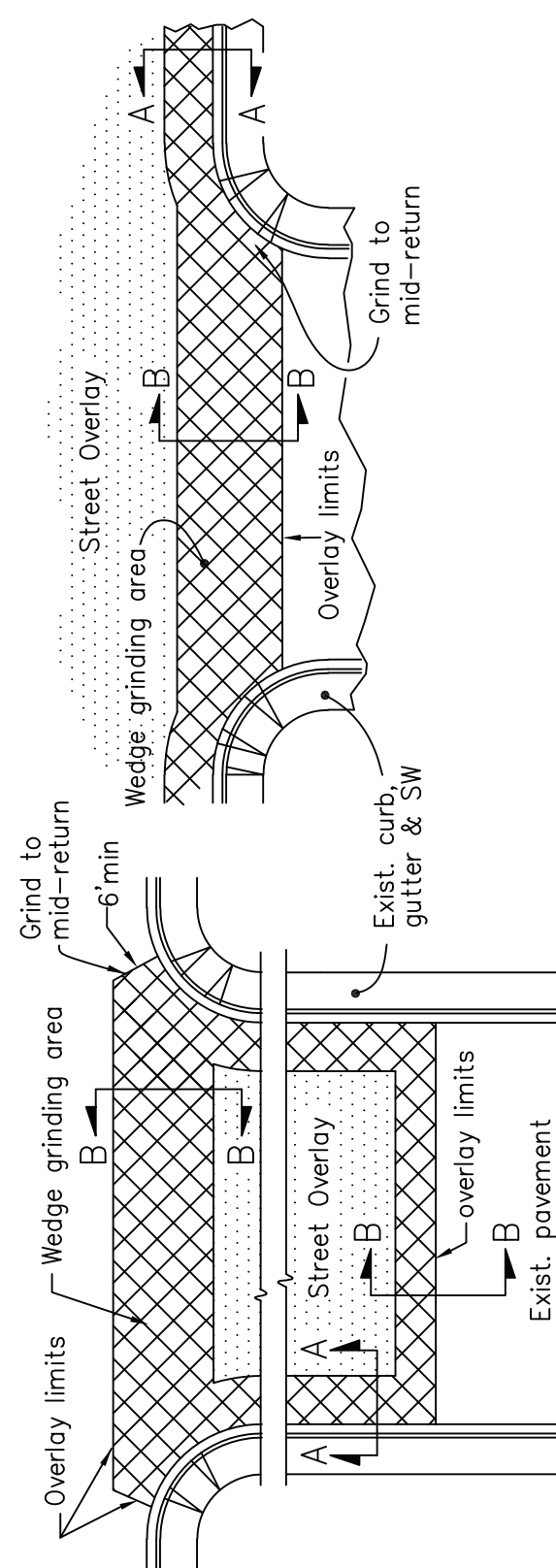
Dwn: KY/KR	Date: May-13	NO.
Ckd: Spec. Committee	Scale: NONE	

[Signature]
 City Engineer

ST-25A

Date	By	Rev.

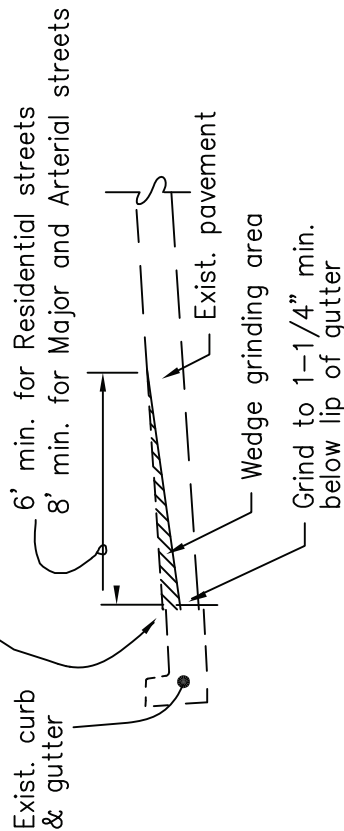
PAVEMENT OVERLAY



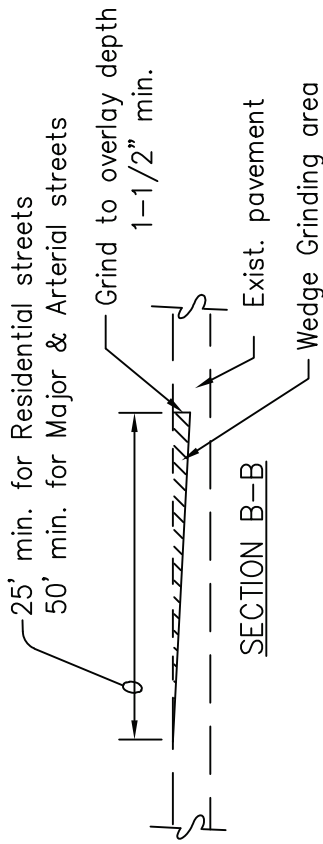
Grinding Detail at Intersections

Grind to lip of valley gutter where applicable

AC lip, See Note 2



SECTION A-A



SECTION B-B

Notes:

1. Wedge grinding shall taper from depth specified to 0".
2. Place AC at gutter to 1/4" above lip.
3. At curb with no gutter, grind to 2" depth at face of curb and pave to grades specified by Engineer in field.
4. Break overlay at grinding so that min. 1-1/4" thickness is achieved.
5. In conform and grinding areas, existing utility and monument frames and covers shall be lowered first before grinding and then raised to finished grade after paving.
6. Wedge grinding shall be extended in front of new curb ramp and curb & gutter reconstruction.

User note:
These details shall be used in conjunction with all the City standard details and specifications. Refer to the City standard specifications for the materials, installation, testing, protective coatings, and other requirements.

CITY OF LIVERMORE STANDARD DETAIL

Dwn: KY/KR/HI

Date: Sept-22

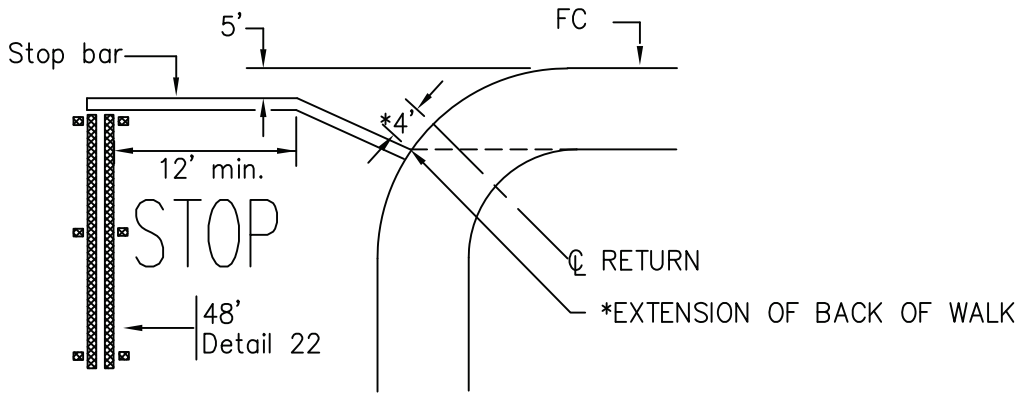
NO.

Ckd: Spec. Committee

Scale: NONE

[Signature]
City Engineer

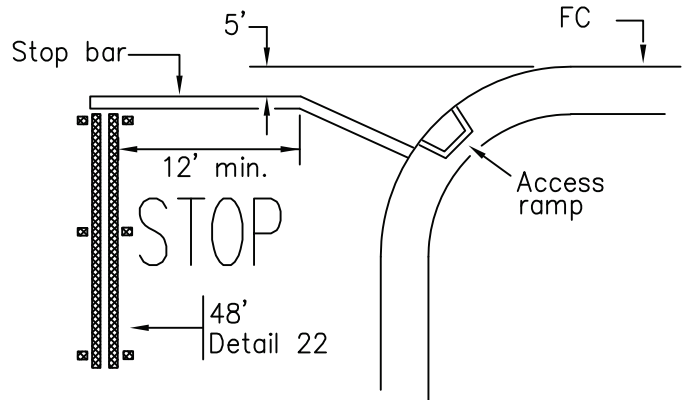
ST-25B



STOP BAR AT INTERSECTION

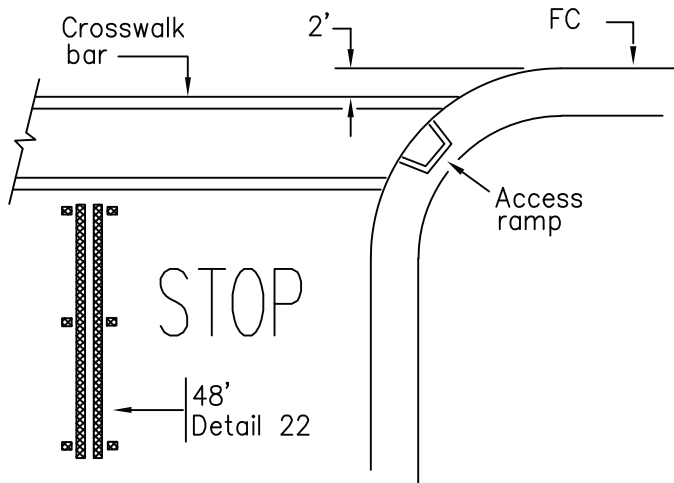
NO ACCESS RAMP

* STOP BAR SHALL ANGLE TO GUTTER EITHER AT 4' FROM ϕ OF RETURN OR AT EXTENSION OF BACK OF WALK, WHICHEVER IS GREATER.



STOP BAR AT INTERSECTION

W/ ACCESS RAMP



CROSSWALK


User note:
 These details shall be used in conjunction with all the City standard details and specifications. Refer to the City standard specifications for the materials, installation, testing, protective coatings, and other requirements.

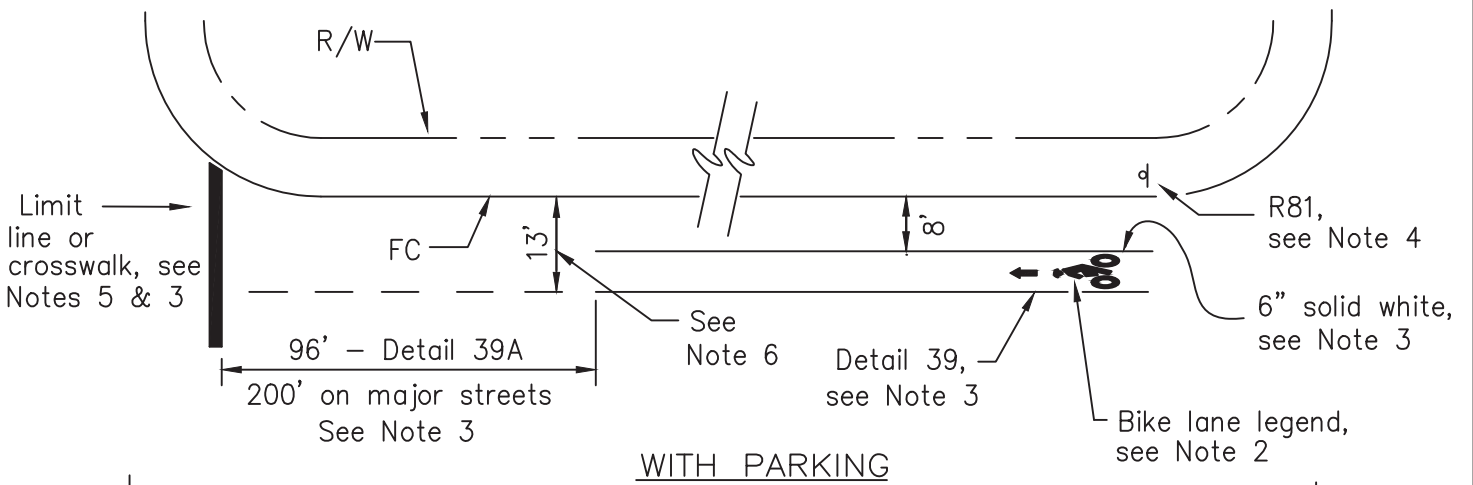
ST26.DWG

Date	By	Rev.

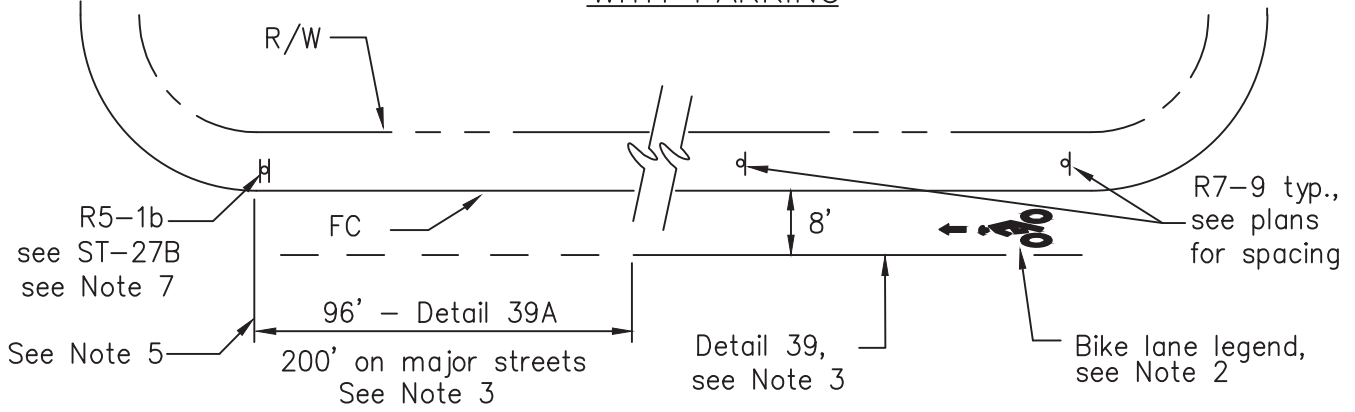
CROSSWALK/STOP BAR
 INSTALLATION

CITY OF LIVERMORE
 STANDARD DETAIL

Dwn: KY/KR/HI	Date: Sept-22	NO.
Clkd: Spec. Committee	Scale: NONE	ST-26
 City Engineer		



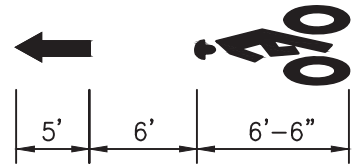
WITH PARKING





WITHOUT PARKING

NOTES:

1. See Detail ST-17 for sign pole installation.
2. Bike Lane legend shall be per Caltrans Standard Plans A24A "Bike Lane Arrow", and A24C "Bike Lane Symbol with Person". Bike lane legends shall be installed using a specialized crushed glass thermoplastic composition per the specifications.
3. All striping to be white thermoplastic.
4. Install 12"x8" R81 signs at the beginning of bike lane at all major street intersections and at 1/2 mile maximum spacing. Install legends at the beginning of the bike lane at all intersections and 1/2 mile maximum spacing.
5. At crosswalk or limit line, extend Detail 39A to line; otherwise terminate at curb return.
6. Parking plus Bike Lane width may be reduced to 12' in special cases, if approved by the Engineer.
7. On major streets, install R5-1b back to back with the last R7-9 on each block.



BIKE LEGEND DETAIL

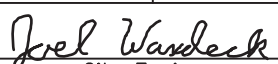
Legend type	Legend area
	7 SF
	7 SF
total:	14 SF

User note:

These details shall be used in conjunction with all the City standard details and specifications. Refer to the City standard specifications for the materials, installation, testing, protective coatings, and other requirements.

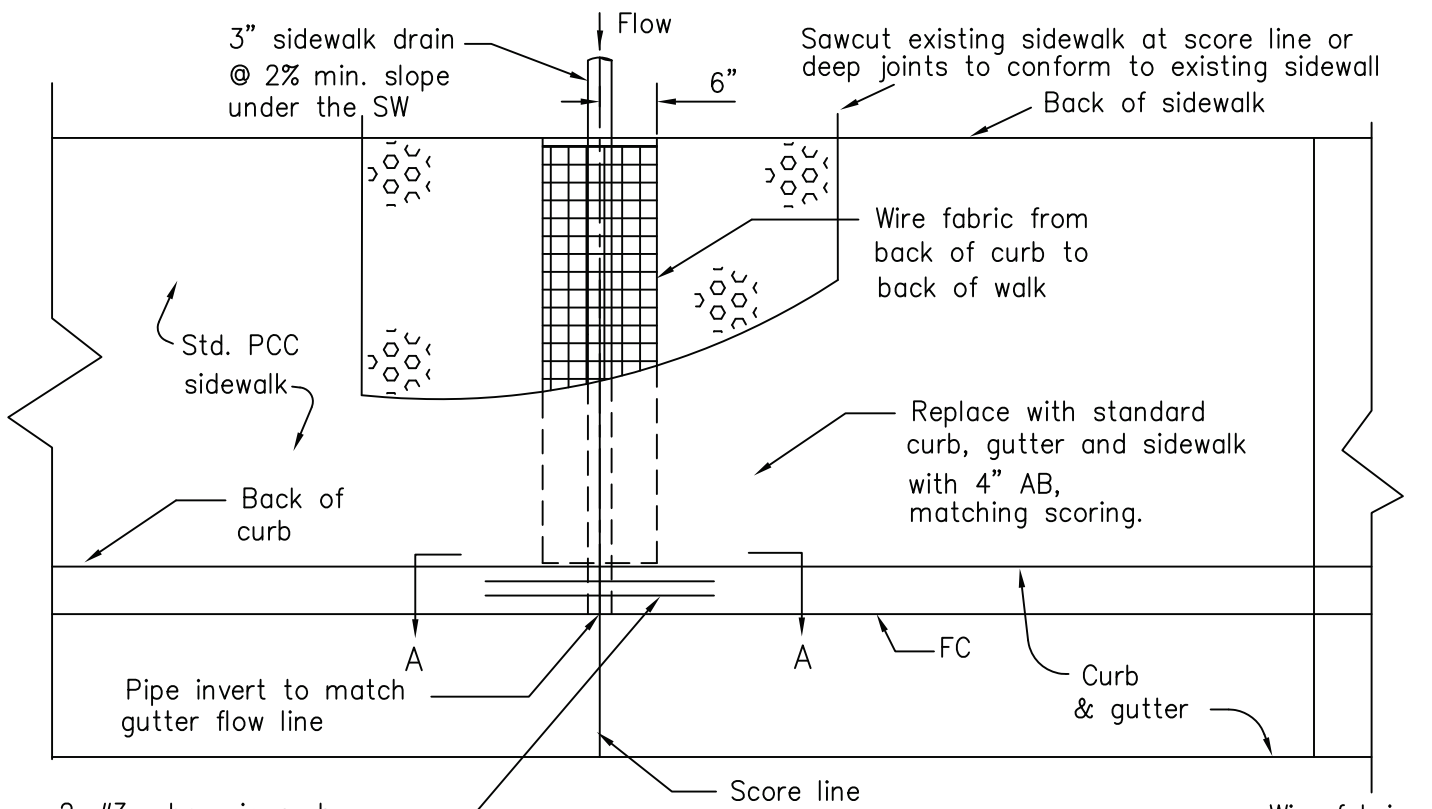
BIKE LANES

CITY OF LIVERMORE
STANDARD DETAIL

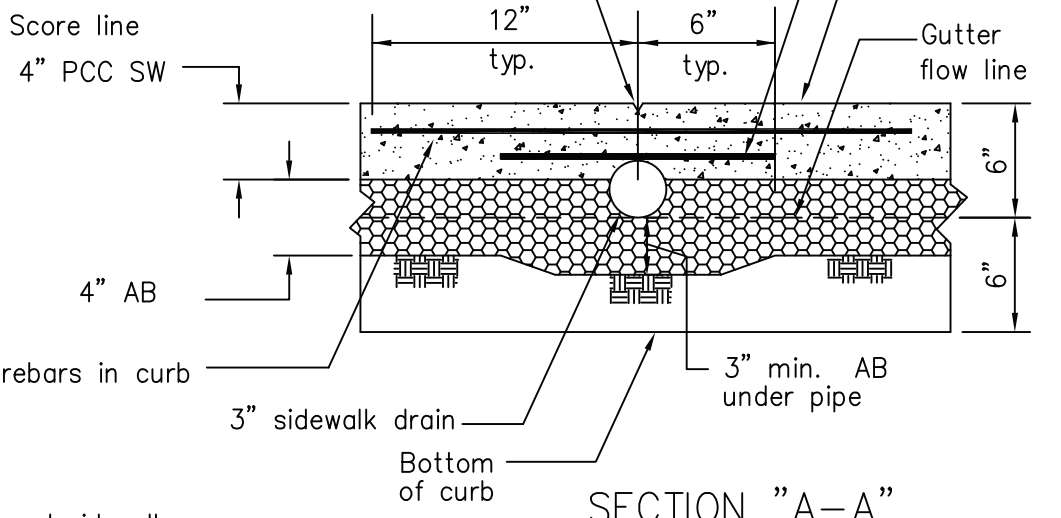
Dwn: XL/KM/VS	Date: July-25	NO.
Spec. Ckd: Committee	Scale: NONE	
 City Engineer		ST-27

ST27.DWG

7/10/25	VS	
Date	By	Rev.



PLAN



SECTION "A-A"

NOTES:

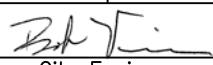
1. Standard curb, gutter and sidewalk:
 - a. See ST-3, 4, & 5 for sidewalks.
 - b. See ST-9A for curb and gutter.
2. Minimum 4" between pipes in multiple installations.
3. Sidewalk drain may not be installed within driveway approach (top of flare) .
4. Sidewalk drain to be perpendicular to face of curb.

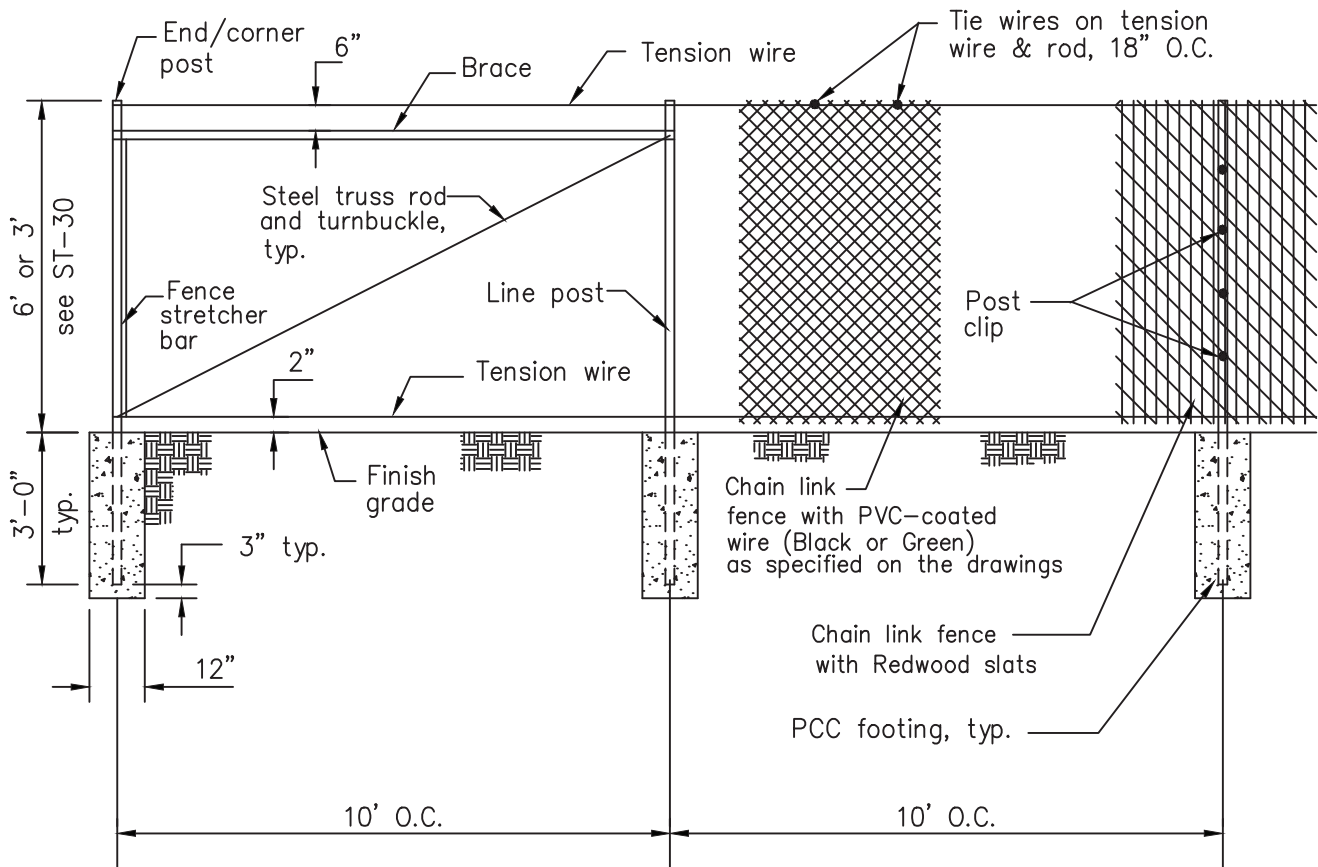
User note:
 These details shall be used in conjunction with all the City standard details and specifications. Refer to the City standard specifications for the materials, installation, testing, protective coatings, and other requirements.

ST28.DWG

Date	By	Rev.

SIDEWALK DRAIN
 (FOR RESTORATION OF EXISTING FACILITIES)

CITY OF LIVERMORE STANDARD DETAIL		
Dwn: KY/HI	Date: Dec-23	NO.
Kcd: Spec. Committee	Scale: NONE	
 City Engineer		ST-28



NOTE:

See ST-30 for Pedestrian Walkway fence height and setback requirements.

User note:

These details shall be used in conjunction with all the City standard details and specifications. Refer to the City standard specifications for the materials, installation, testing, protective coatings, and other requirements.

CHAIN LINK FENCE

CITY OF LIVERMORE
STANDARD DETAIL

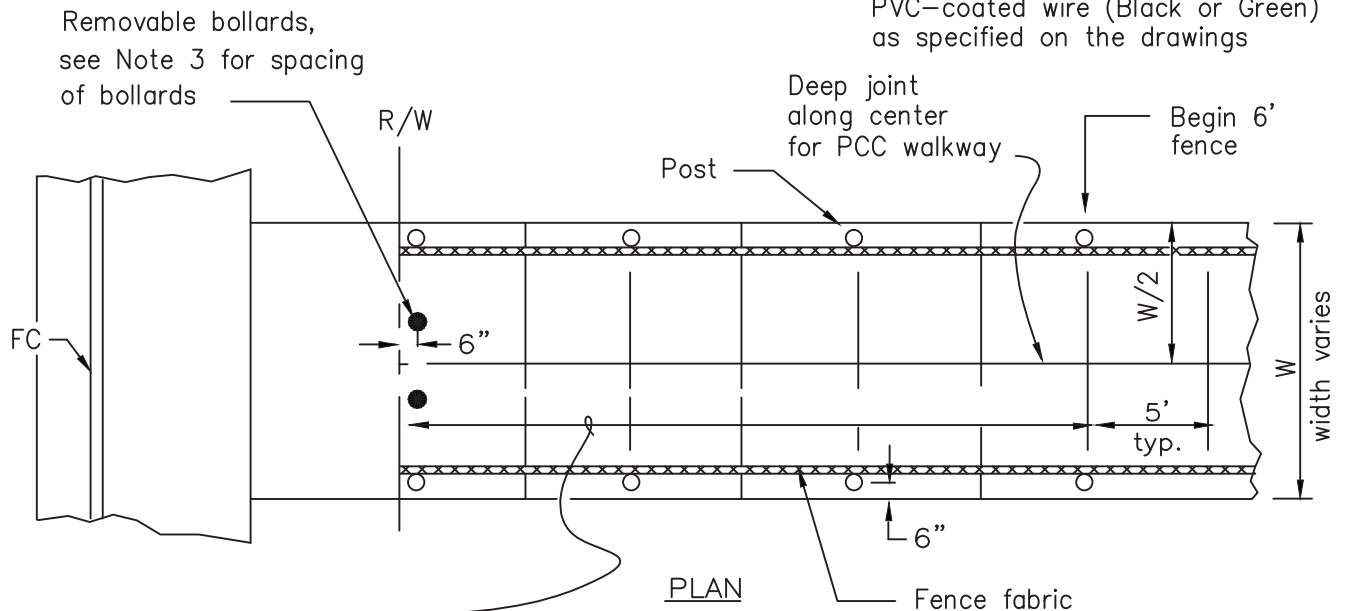
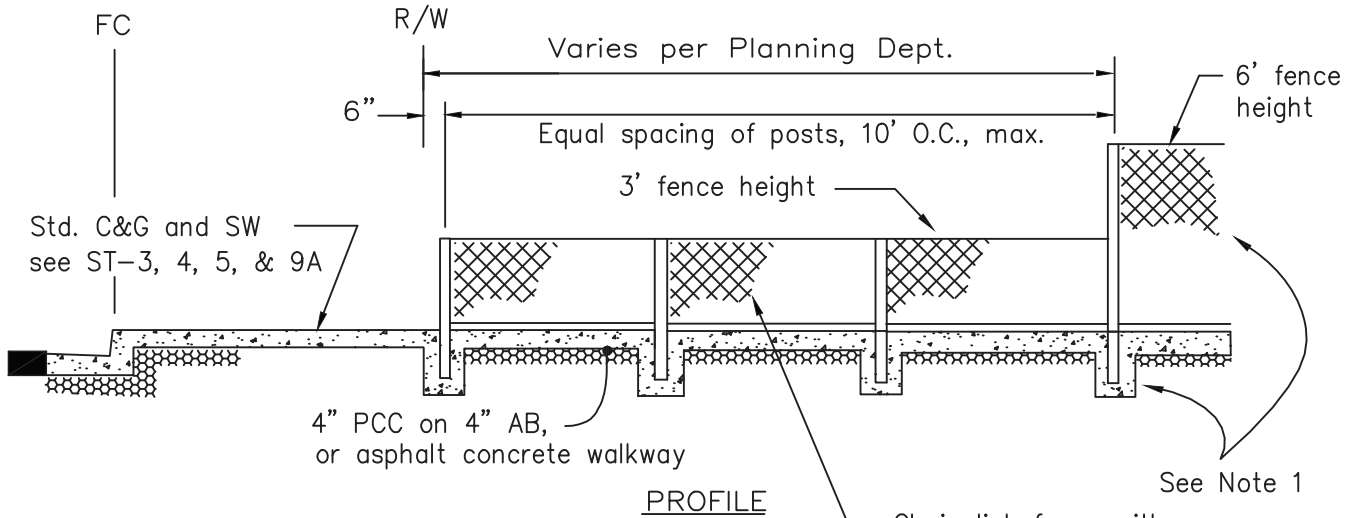
Dwn: KY	Date: May-13	NO.
Ckd: Spec. Committee	Scale: NONE	

dbw - [Signature]
City Engineer

ST-29

ST29.DWG

Date	By	Rev.



Alternate deep joints with score lines, equal spacing, 5' max. (for PCC only)

NOTES:

1. See ST-29 for chain link fence and concrete footing details.
2. See ST-23 for removable bollard details.
3. For walkways 10 feet or narrower, install one bollard at 5 feet from one edge of travel path. For walkways wider than 10 feet, install bollards (2 min.) with a 5 feet wide gap at the center of walkway.


User note:

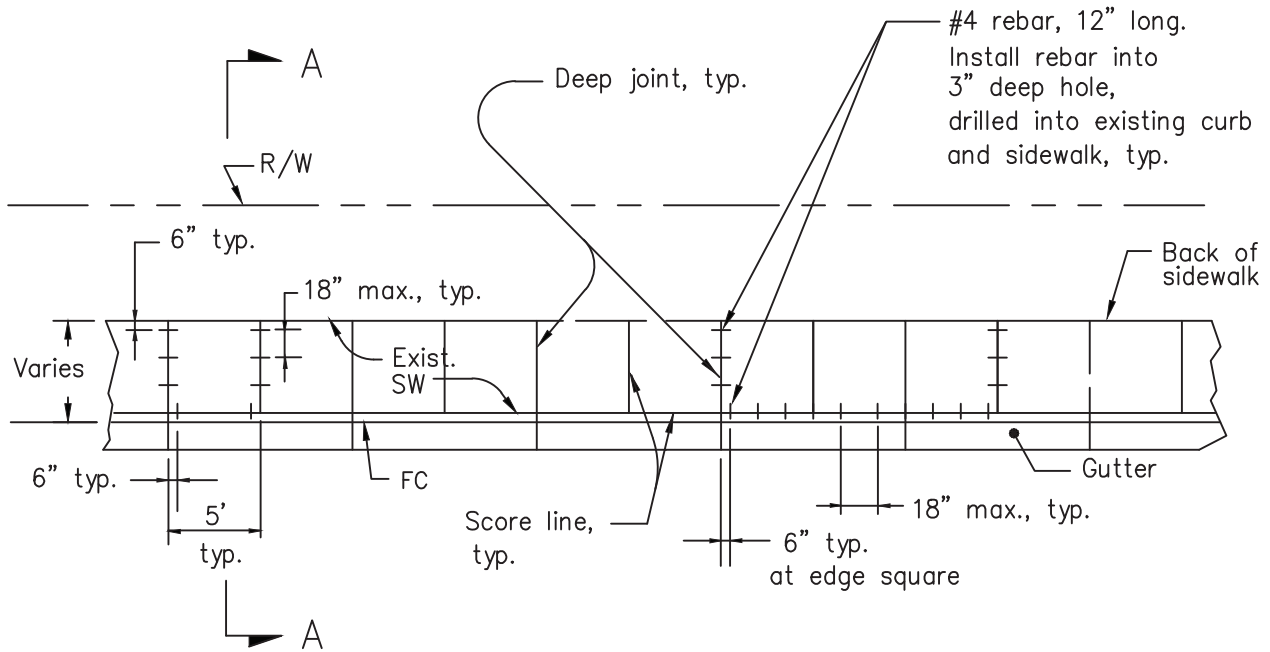
These details shall be used in conjunction with all the City standard details and specifications. Refer to the City standard specifications for the materials, installation, testing, protective coatings, and other requirements.

ST30.DWG			
Date	By	Rev.	

PEDESTRIAN WALKWAY

CITY OF LIVERMORE STANDARD DETAIL

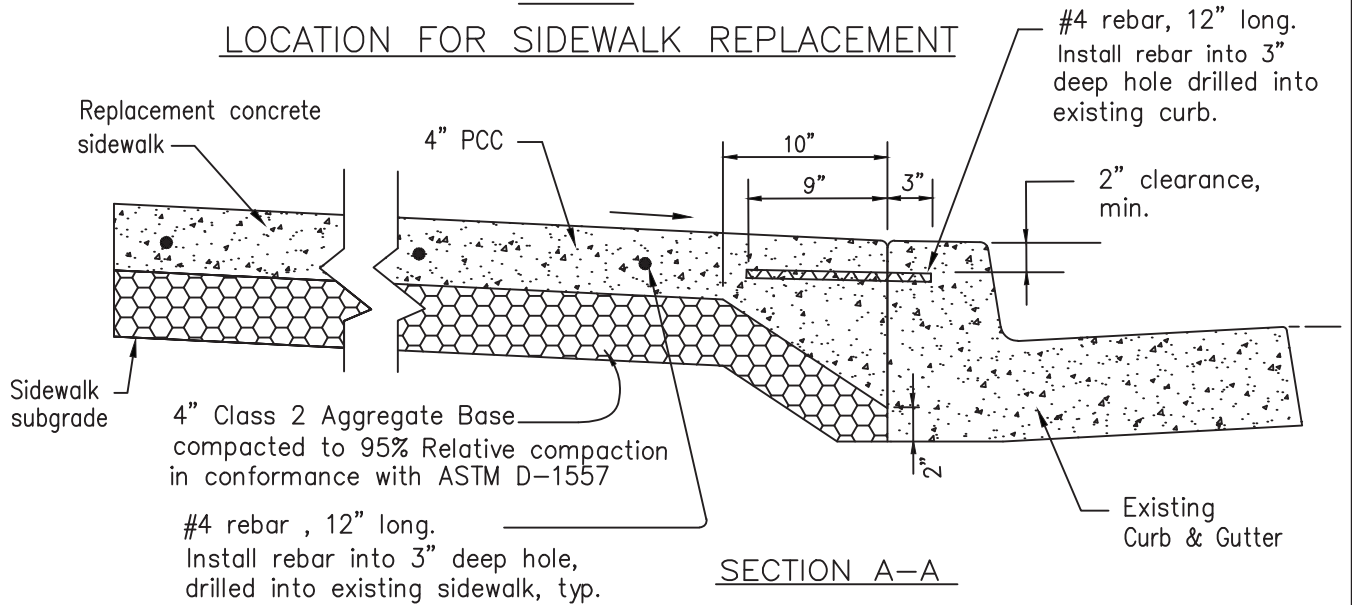
Dwn: KY/KR	Date: May-13	NO. ST-30
Ckd: Spec. Committee	Scale: NONE	
 City Engineer		



REPLACEMENT OF ONE SQUARE

REPLACEMENT OF TWO OR MORE SQUARES

PLAN
LOCATION FOR SIDEWALK REPLACEMENT



SECTION A-A

NOTES:

1. Match width and scoring pattern with adjacent existing sidewalk.
2. Moist undisturbed native subgrade may not need to be compacted as approved by the City.
3. All exposed corners shall have 1/2" radius.
4. Sawcut existing sidewalk at score line or deep joints to conform to existing sidewalk.
5. The concrete shall have a minimum 28 day compressive strength of 3000 psi. Lampblack shall be added at a rate of 3/4 pound/pint per cubic yard of concrete.

User note:


These details shall be used in conjunction with all the City standard details and specifications. Refer to the City standard specifications for the materials, installation, testing, protective coatings, and other requirements.

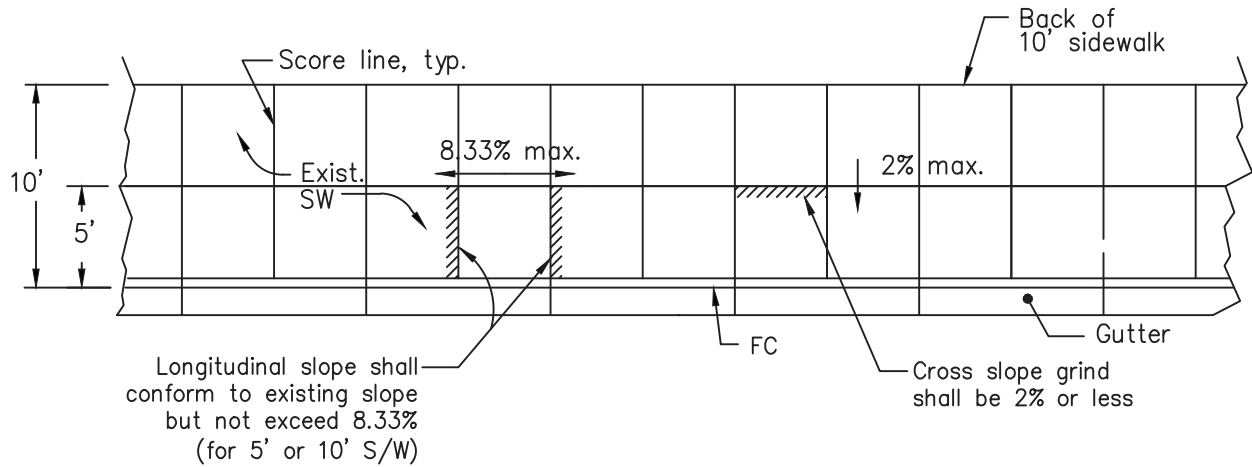
ST31.DWG

Date	By	Rev.

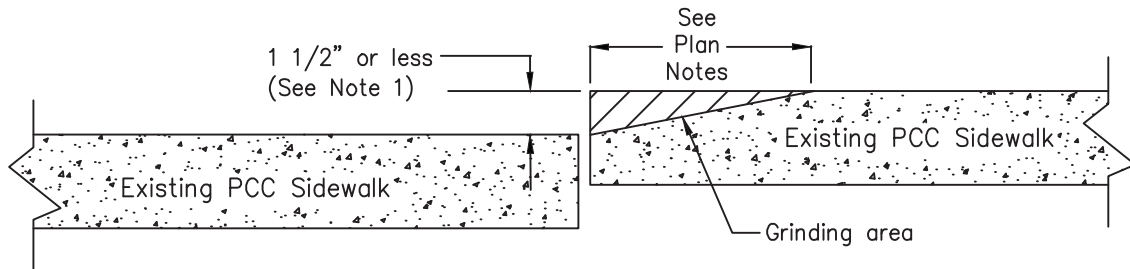
SIDEWALK REPAIR

CITY OF LIVERMORE
STANDARD DETAIL

Dwn: KY	Date: May-13	NO.
Ckd: Spec. Committee	Scale: NONE	
 City Engineer		ST-31



PLAN



TYPICAL SECTION

NOTE:

1. If separation is greater than 1 1/2" then sidewalk is to be removed and replaced per City Standard Detail ST-31.

User note:


These details shall be used in conjunction with all the City standard details and specifications. Refer to the City standard specifications for the materials, installation, testing, protective coatings, and other requirements.

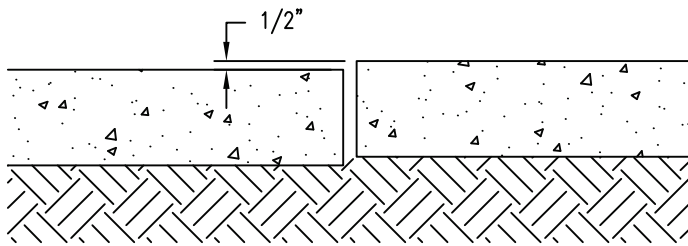
ST31.DWG

Date	By	Rev.

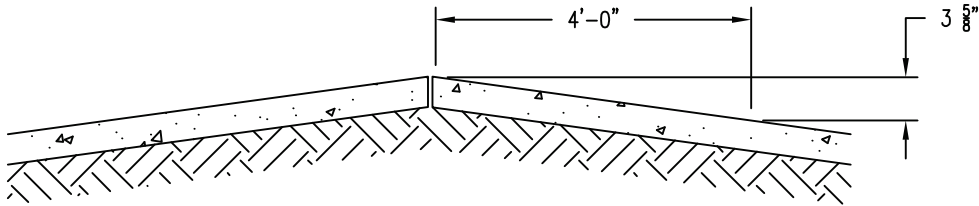
SIDEWALK
GRINDING
REPAIR

CITY OF LIVERMORE
STANDARD DETAIL

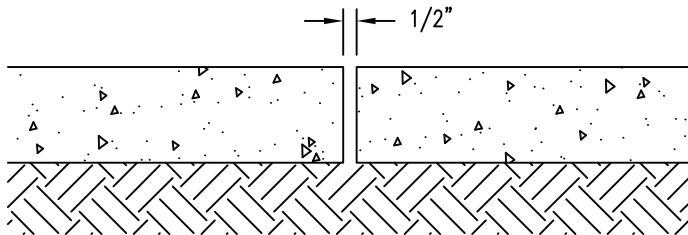
Dwn: MJT	Date: May-13	NO.
Ckd: Spec. Committee	Scale: NONE	
 City Engineer		ST-32



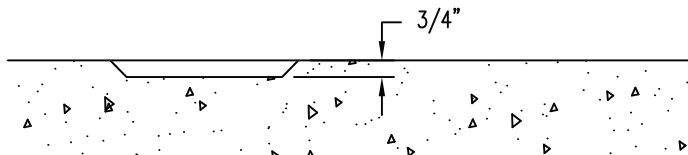
STEP SEPARATIONS A sidewalk panel has been lifted or subsided by $1/2''$ or more than the adjacent panel.



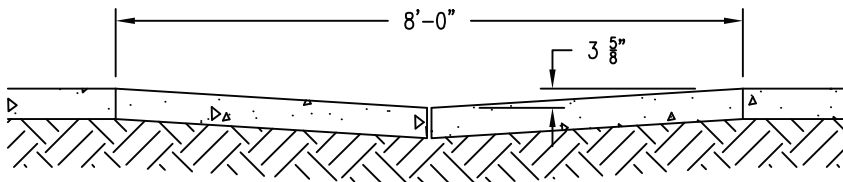
TRANSVERSE GRADE CHANGE Two sidewalk panels have been lifted to a peak, where the peak is $3 \frac{5}{8}''$ (7.5%) or higher than the normal grade of the sidewalk 4' away in each direction.



OPENING IN SIDEWALK There is an opening in the sidewalk measuring $1/2''$ or greater.



SPALLING OF SURFACE A portion of the sidewalk has been removed, and the result is a hole of $3/4''$ or deeper.



SUNKEN SIDEWALK The sidewalk has subsided within a stretch of 8 feet of sidewalk while there is a portion that is greater than or equal to $3 \frac{5}{8}''$ (7.5%) lower than the rest of the sidewalk.

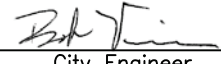
NOTE: CROSS SLOPE REQUIREMENT=2%

ST33.DWG

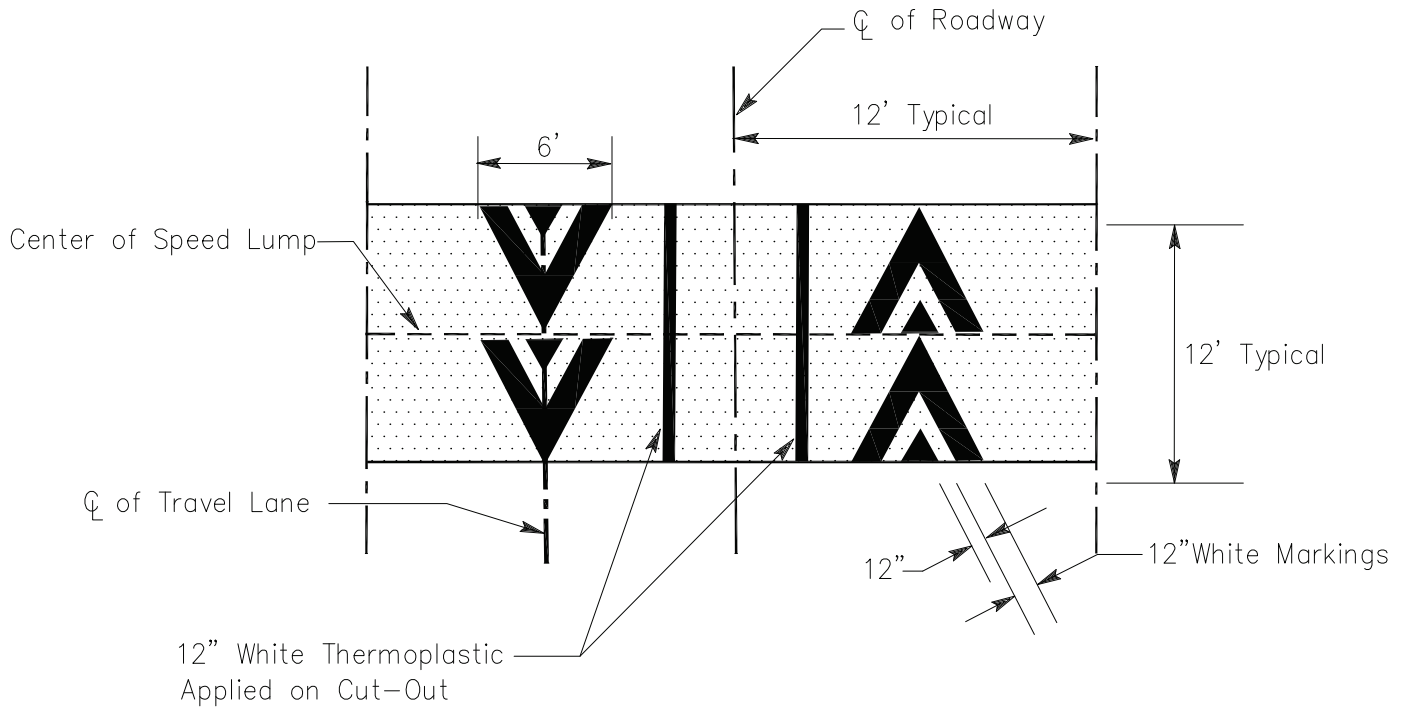
Date	By	Rev.

SIDEWALK REPAIR CRITERION

CITY OF LIVERMORE
STANDARD DETAIL

Dwn: BC	Date: Oct-18	NO.
Ckd: Spec. Committee	Scale: NONE	
 City Engineer		ST-33

PAVEMENT MARKINGS FOR SPEED LUMPS DETAIL:



User note:
 These details shall be used in conjunction with all the City standard details and specifications. Refer to the City standard specifications for the materials, installation, testing, protective coatings, and other requirements.

ST-34.DWG

SPEED LUMPS

CITY OF LIVERMORE
 STANDARD DETAIL

Dwn: KY/KR/JV/HI Date: Sept-22

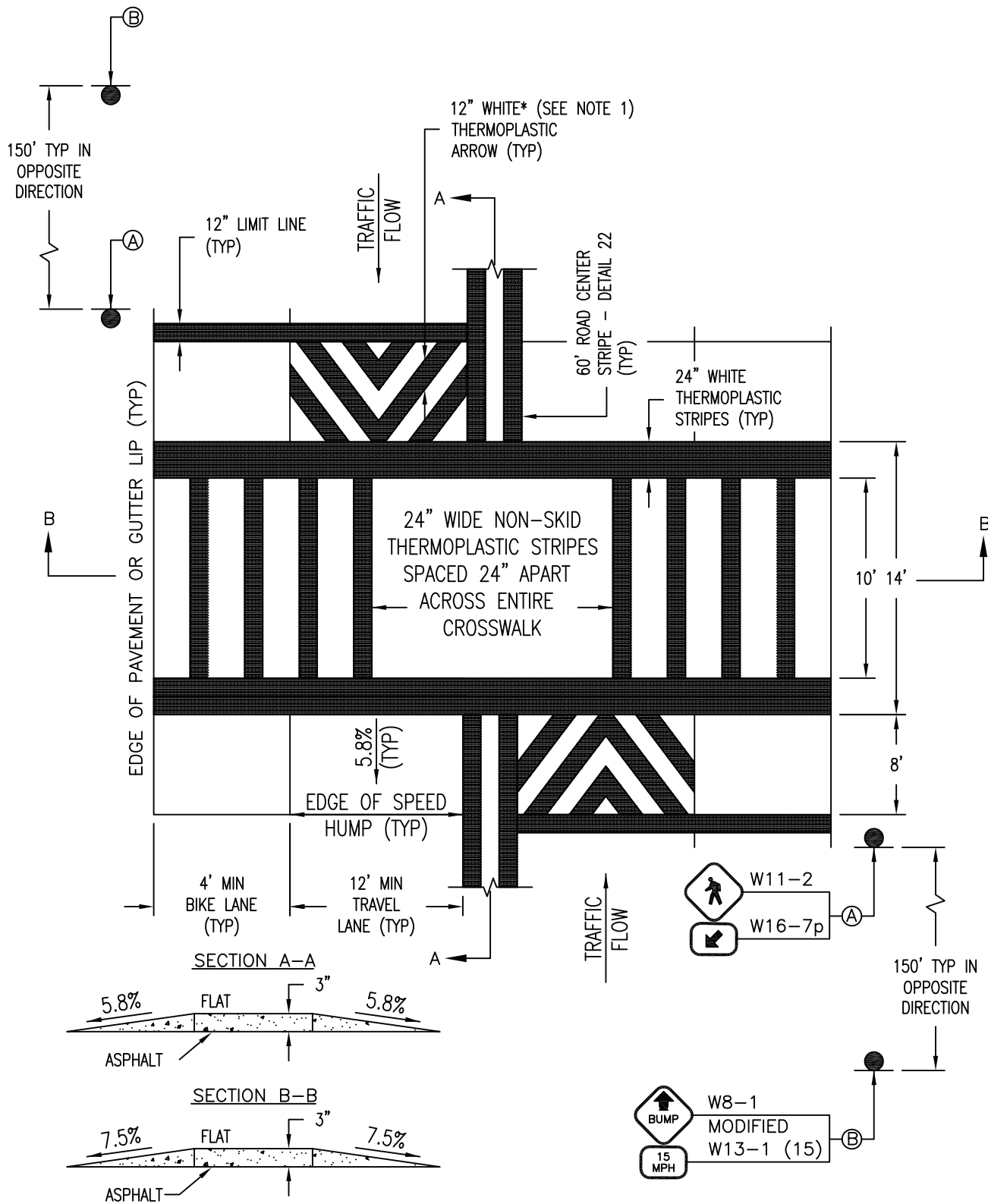
Spec. Committee Scale: NONE

[Signature]
 City Engineer

NO.

ST-34

Date	By	Rev.



NOTES:

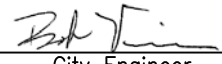
1. *-IN THE SCHOOL VICINITY, CONSULT THE CITY TRAFFIC ENGINEER

ST-35.DWG

Date	By	Rev.

SPEED TABLE
CROSSWALK

CITY OF LIVERMORE
STANDARD DETAIL

Dwn: BC	Date: Feb-18	NO.
Ckd: Spec. Committee	Scale: NONE	ST-35
 City Engineer		